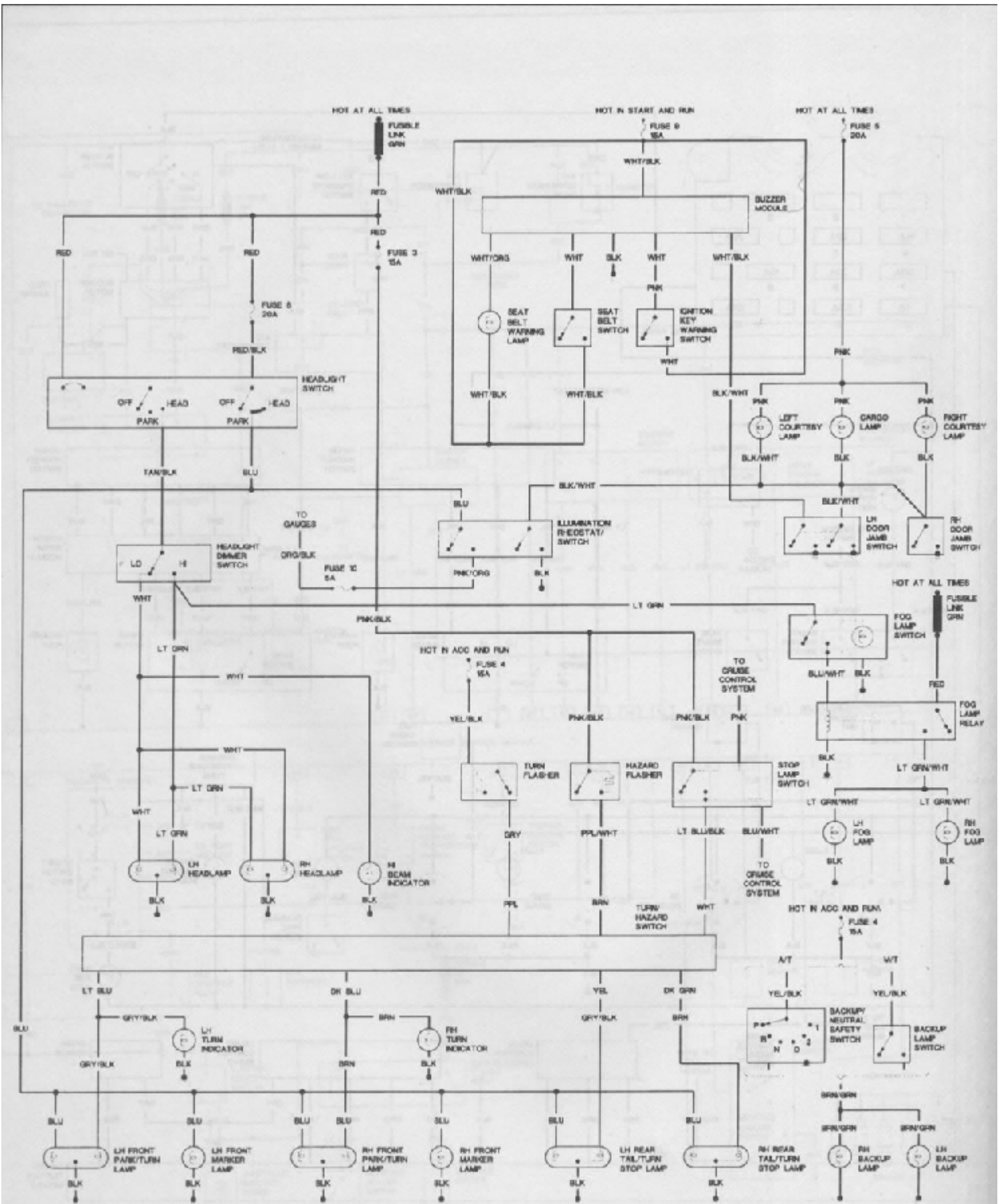


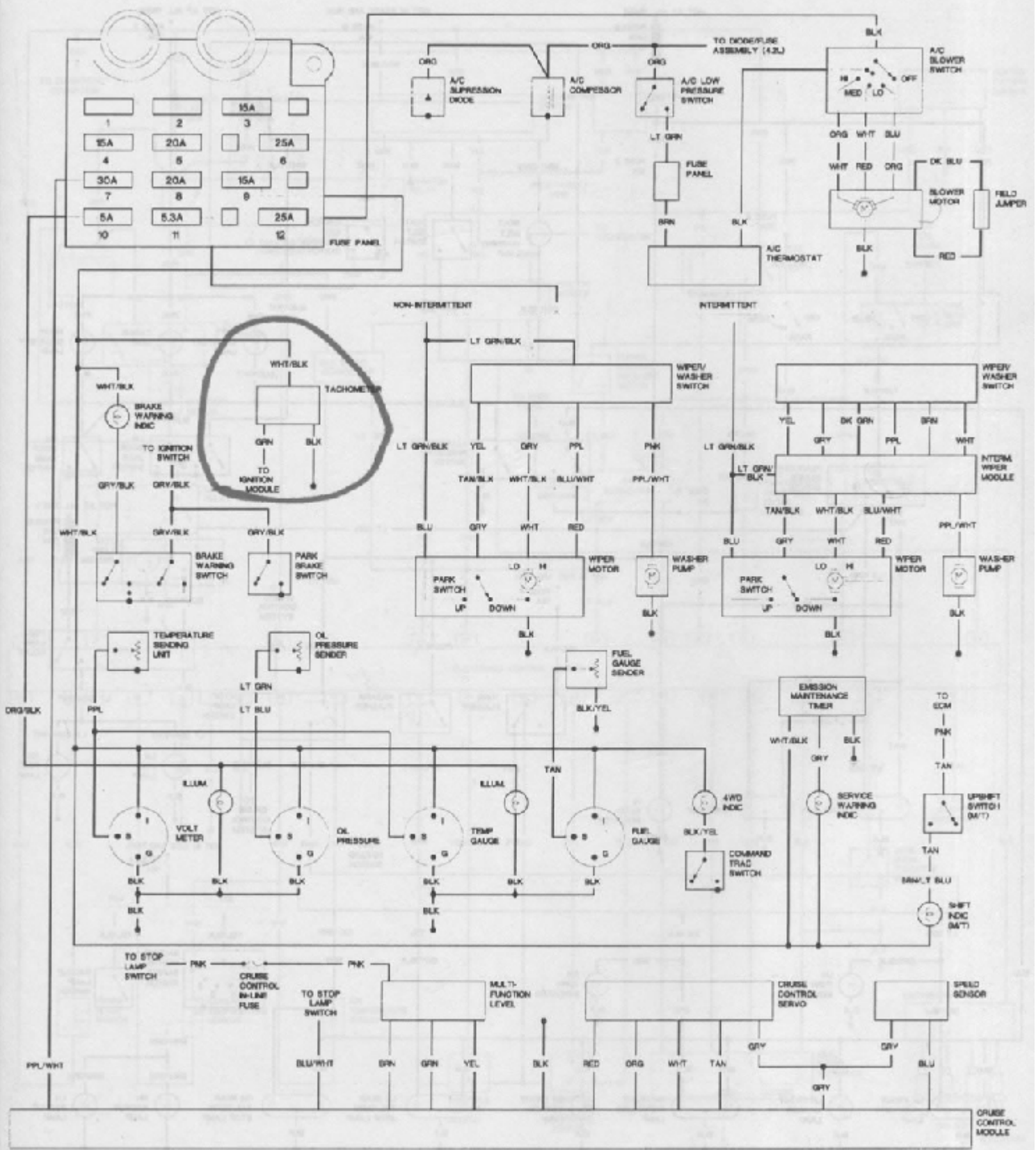
65306078

Fig. 78 Body — 1987 Wrangler



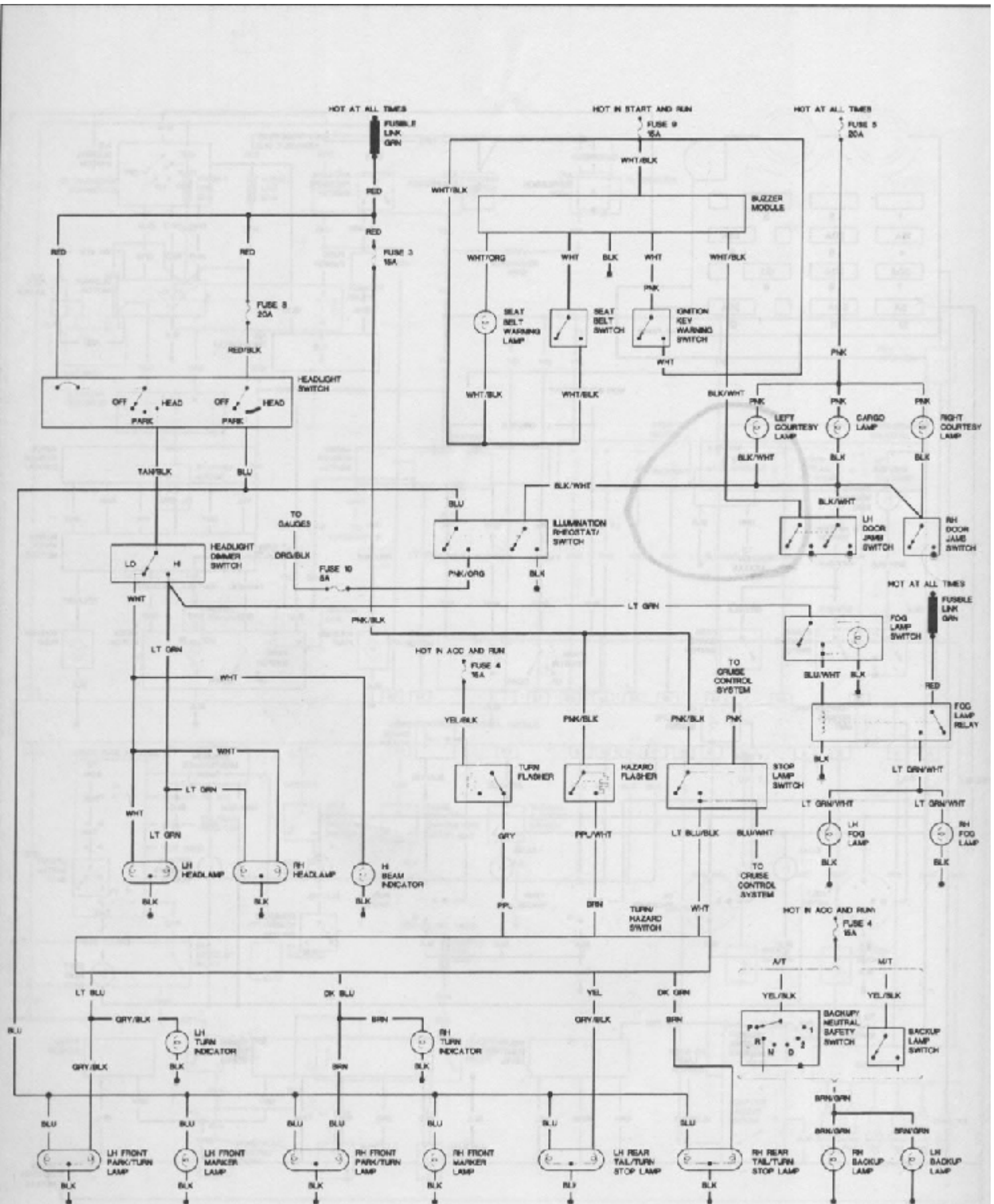
8535679

Fig. 79 Body — 1987 Wrangler



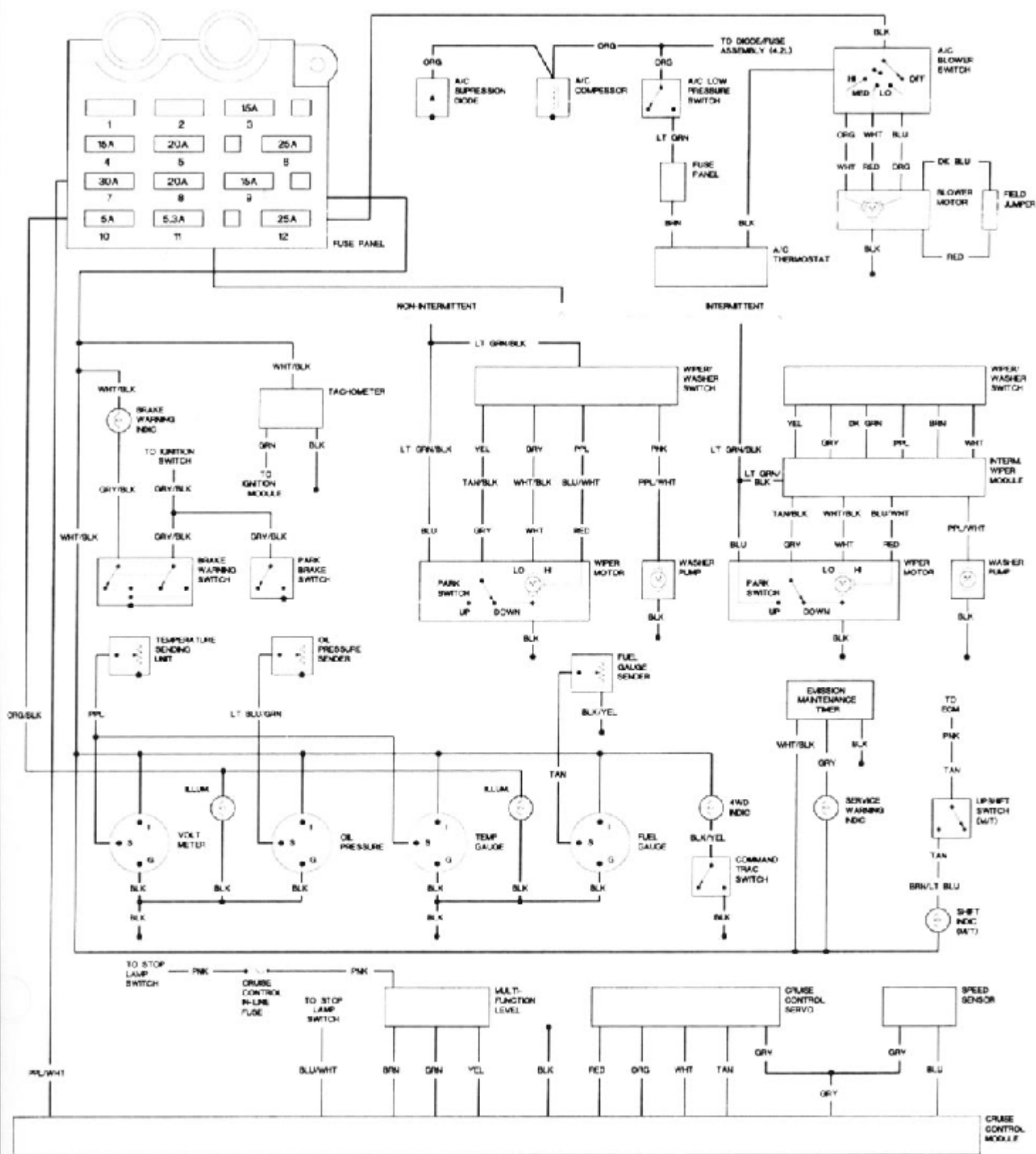
85556892

Fig. 82 Body — 1988 Wrangler



80336093

Fig. 83 Body — 1988 Wrangler



85359088

Fig. 86 Body — 1989 Wrangler

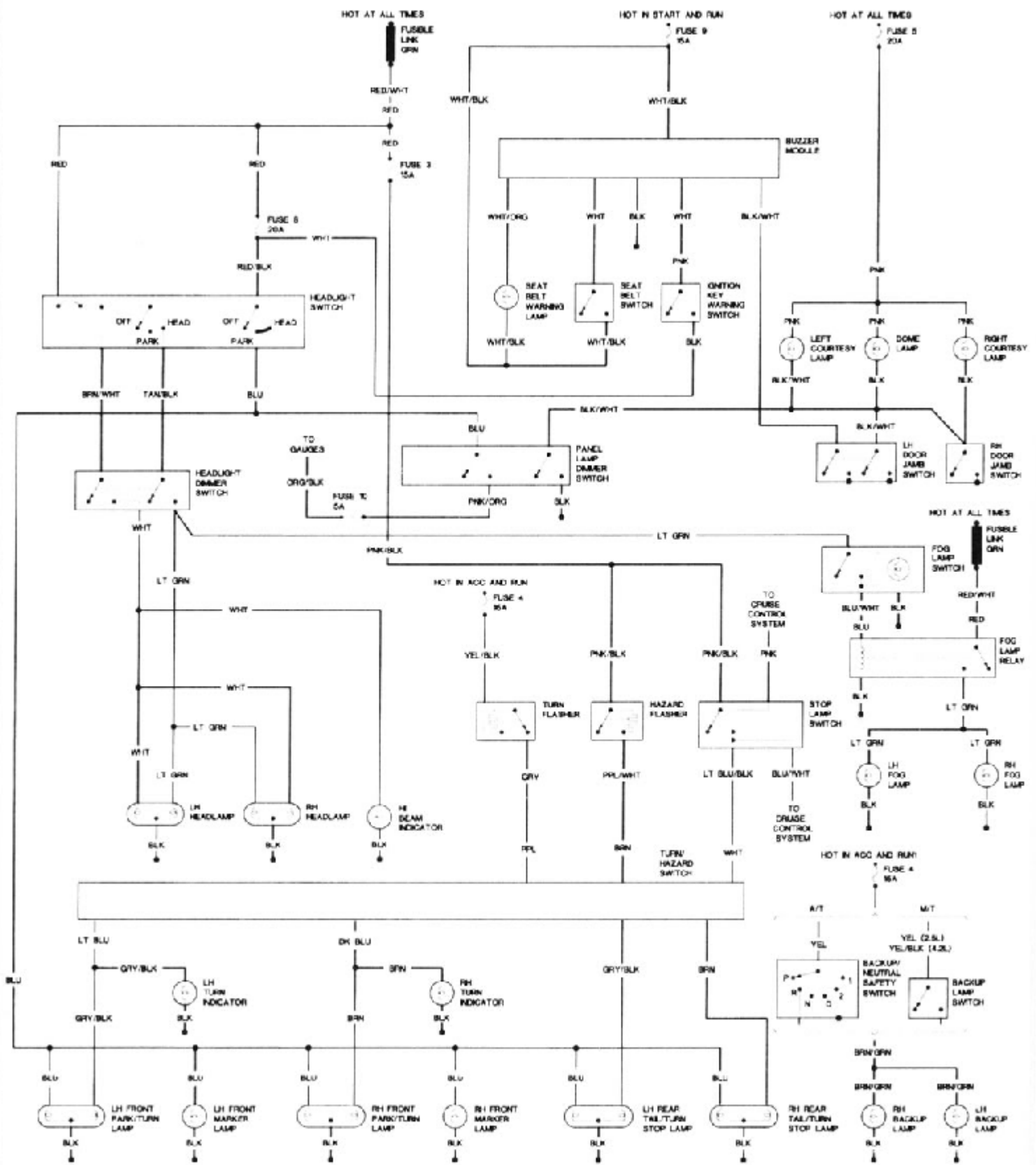
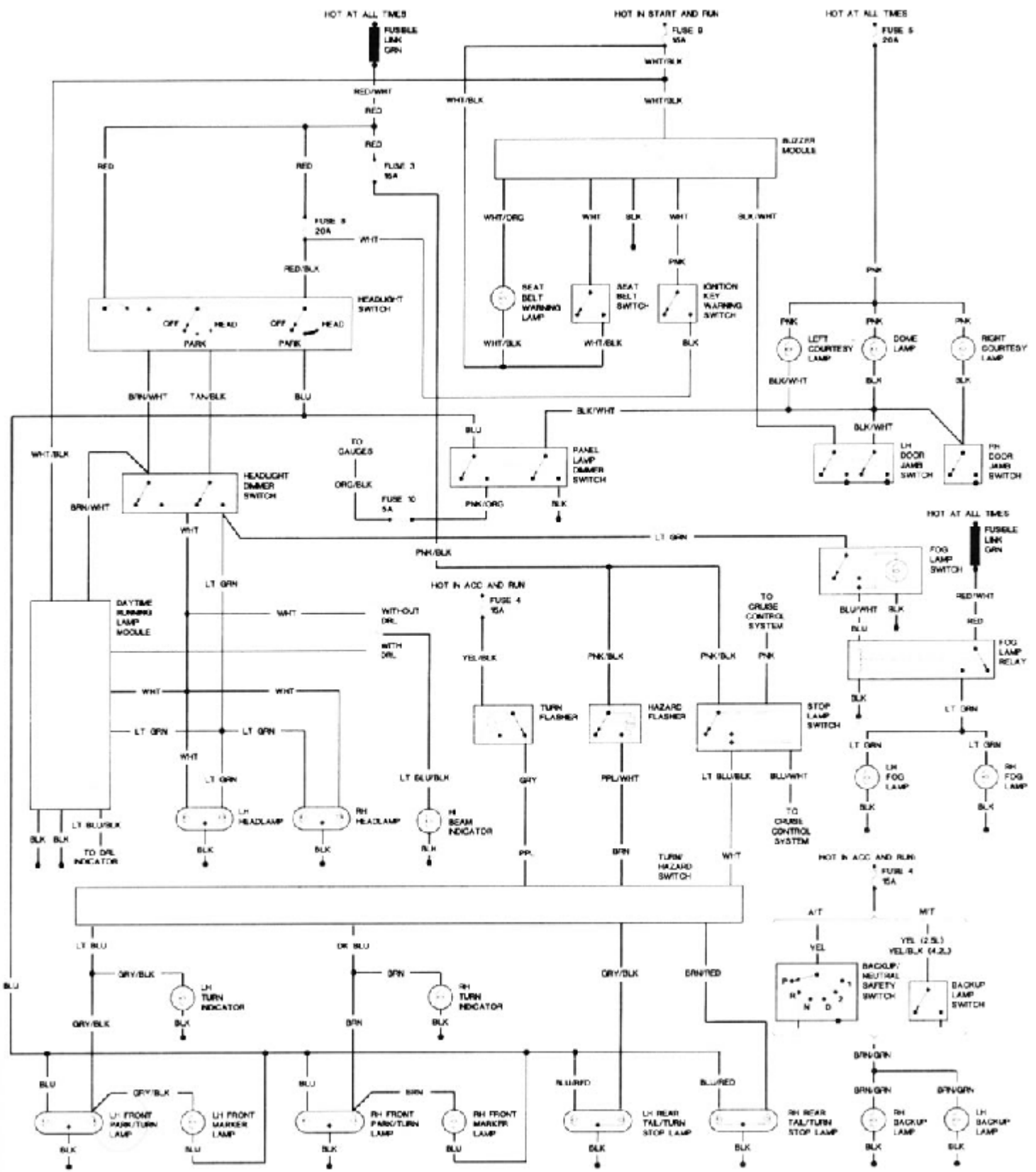


Fig. 87 Body — 1989 Wrangler



83356900

Fig. 90 Body — 1990 Wrangler

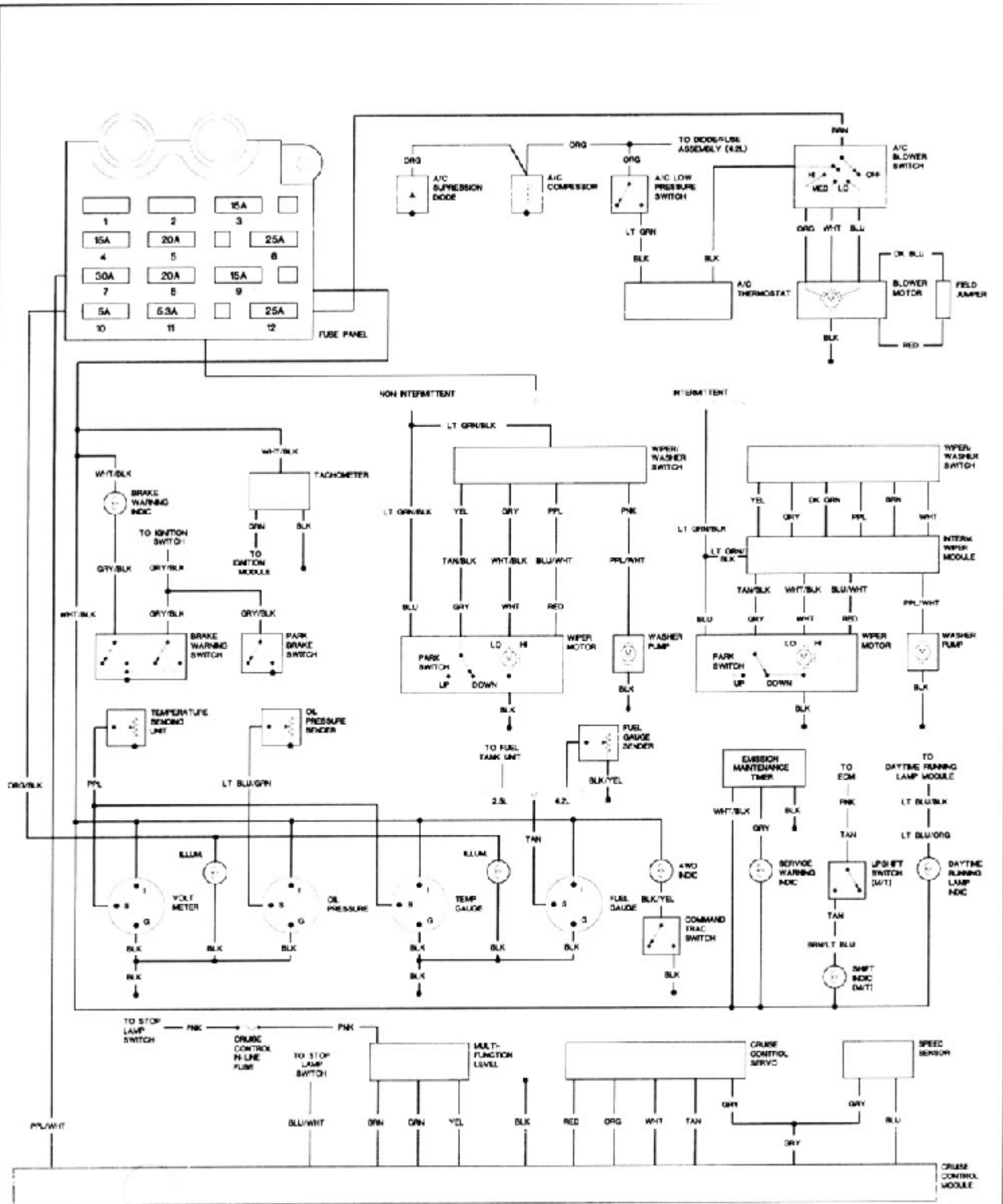
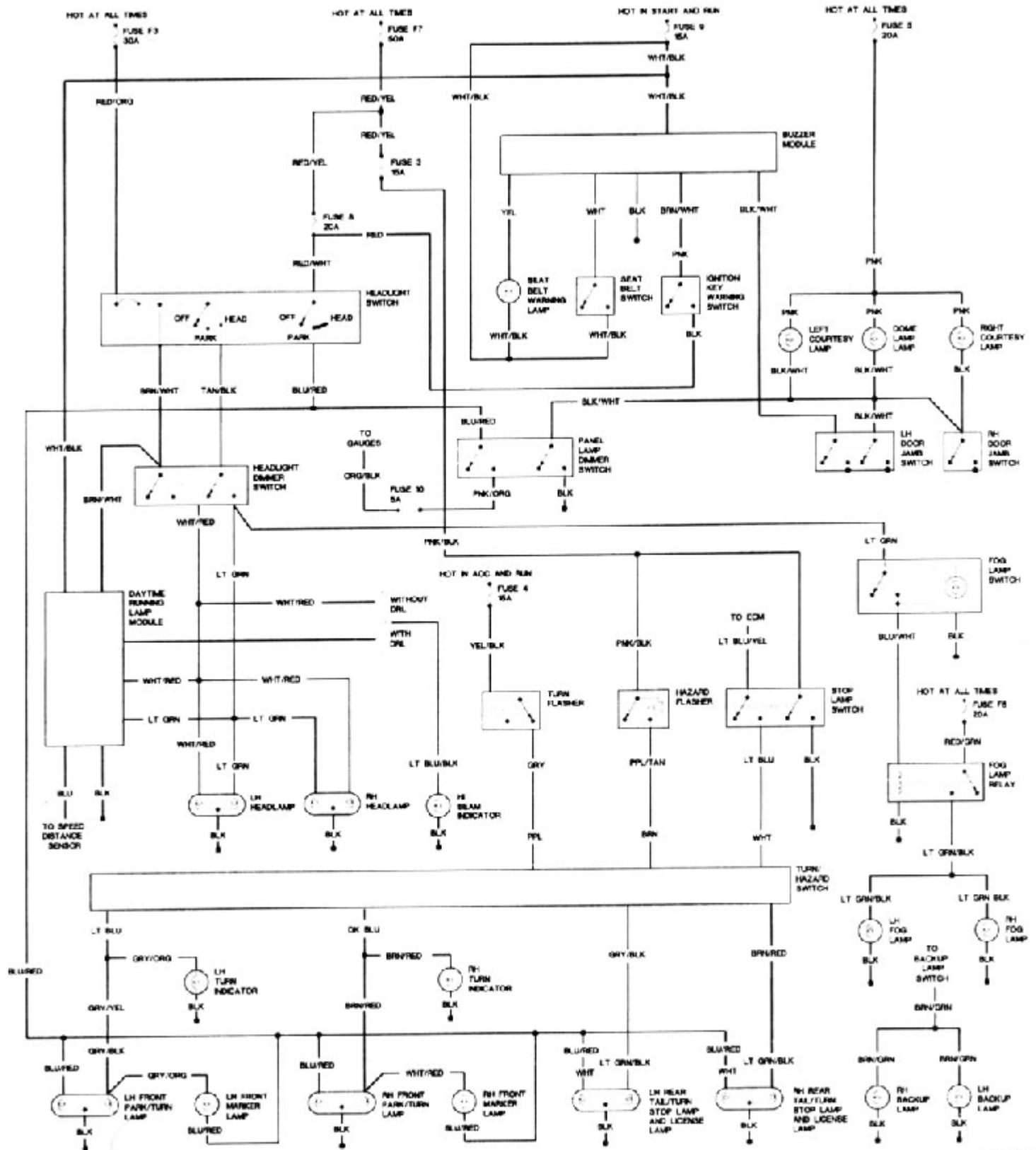
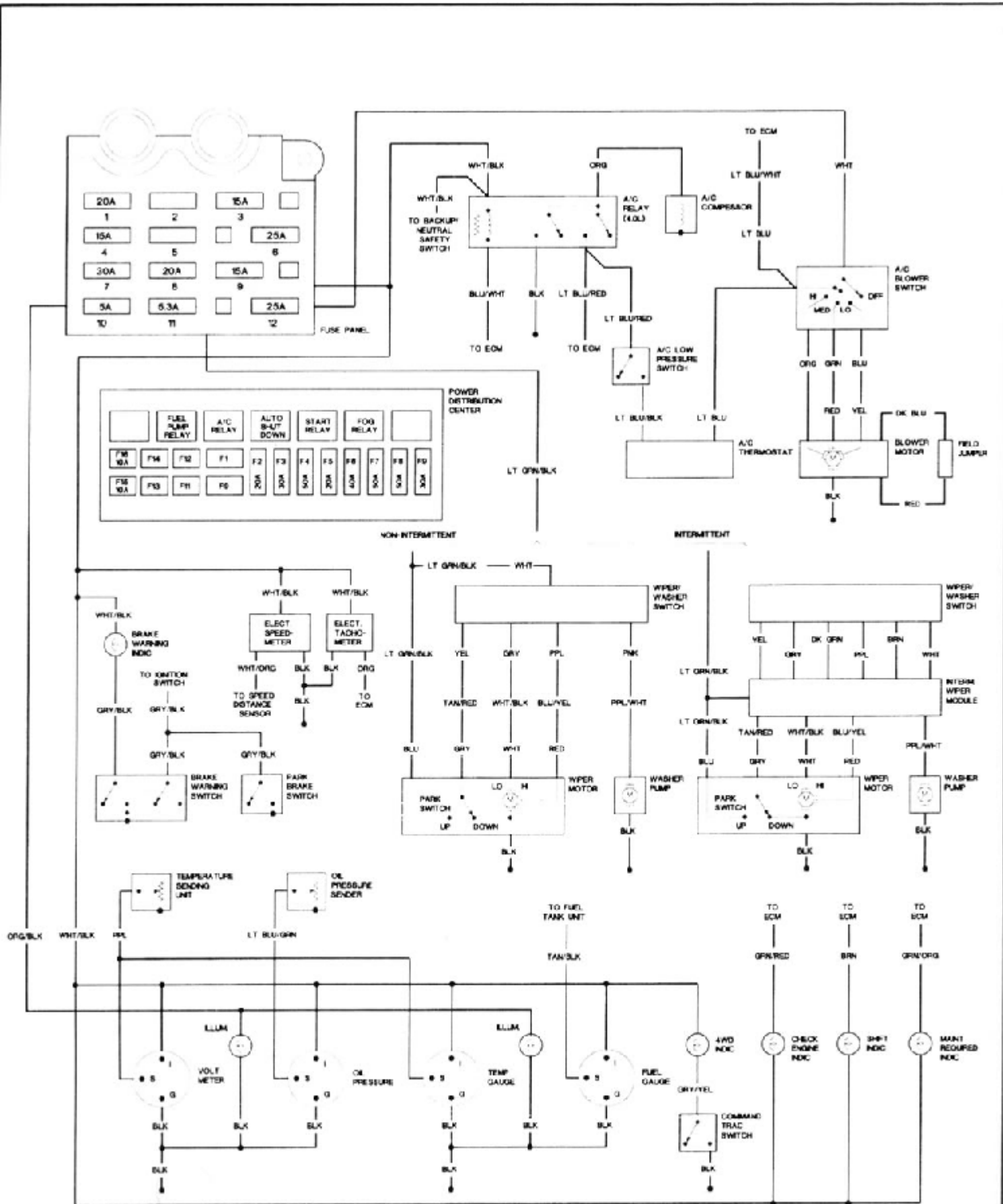


Fig. 91 Body — 1990 Wranler



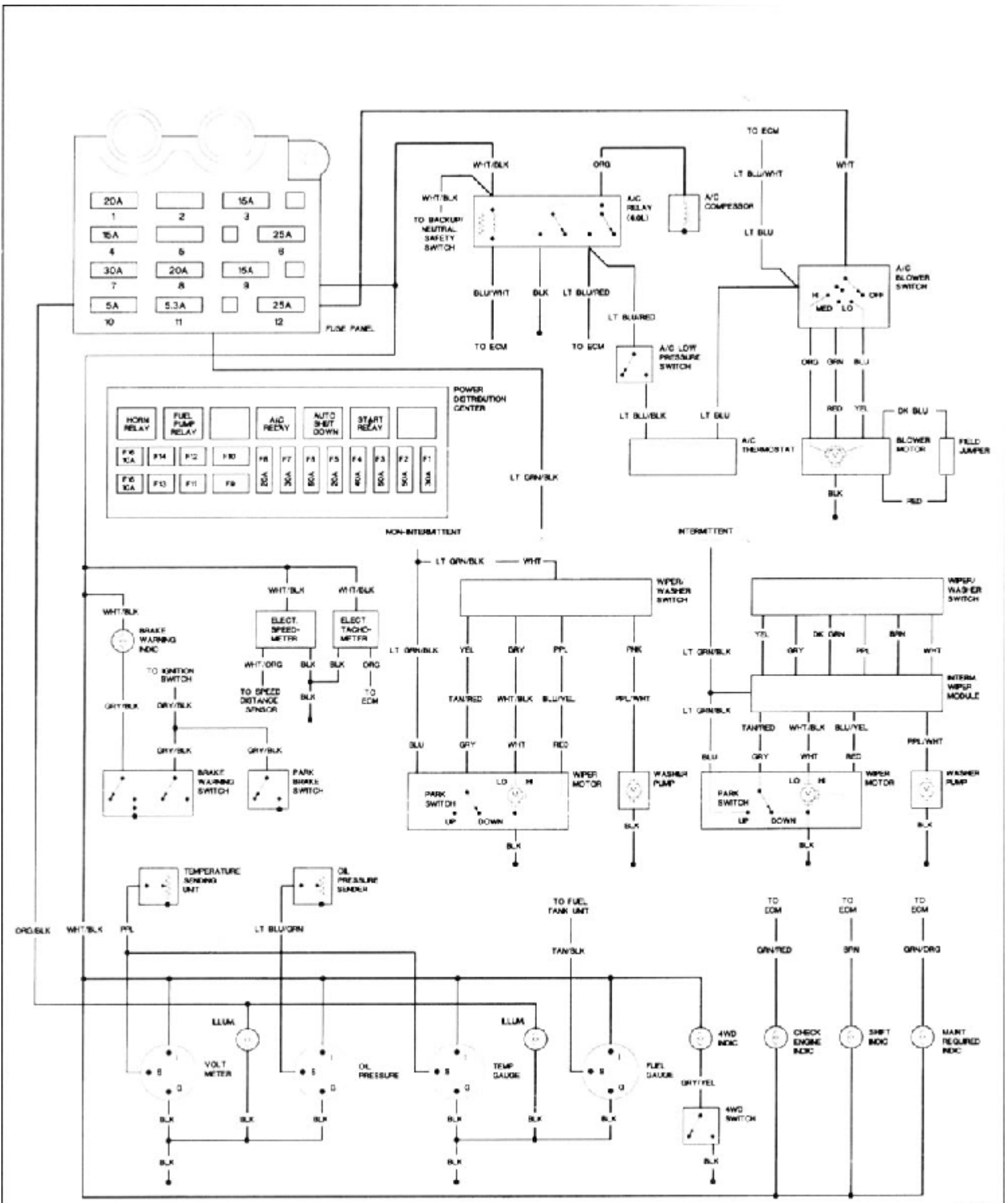
8530R94

Fig. 94 Body — 1991 Wrangler



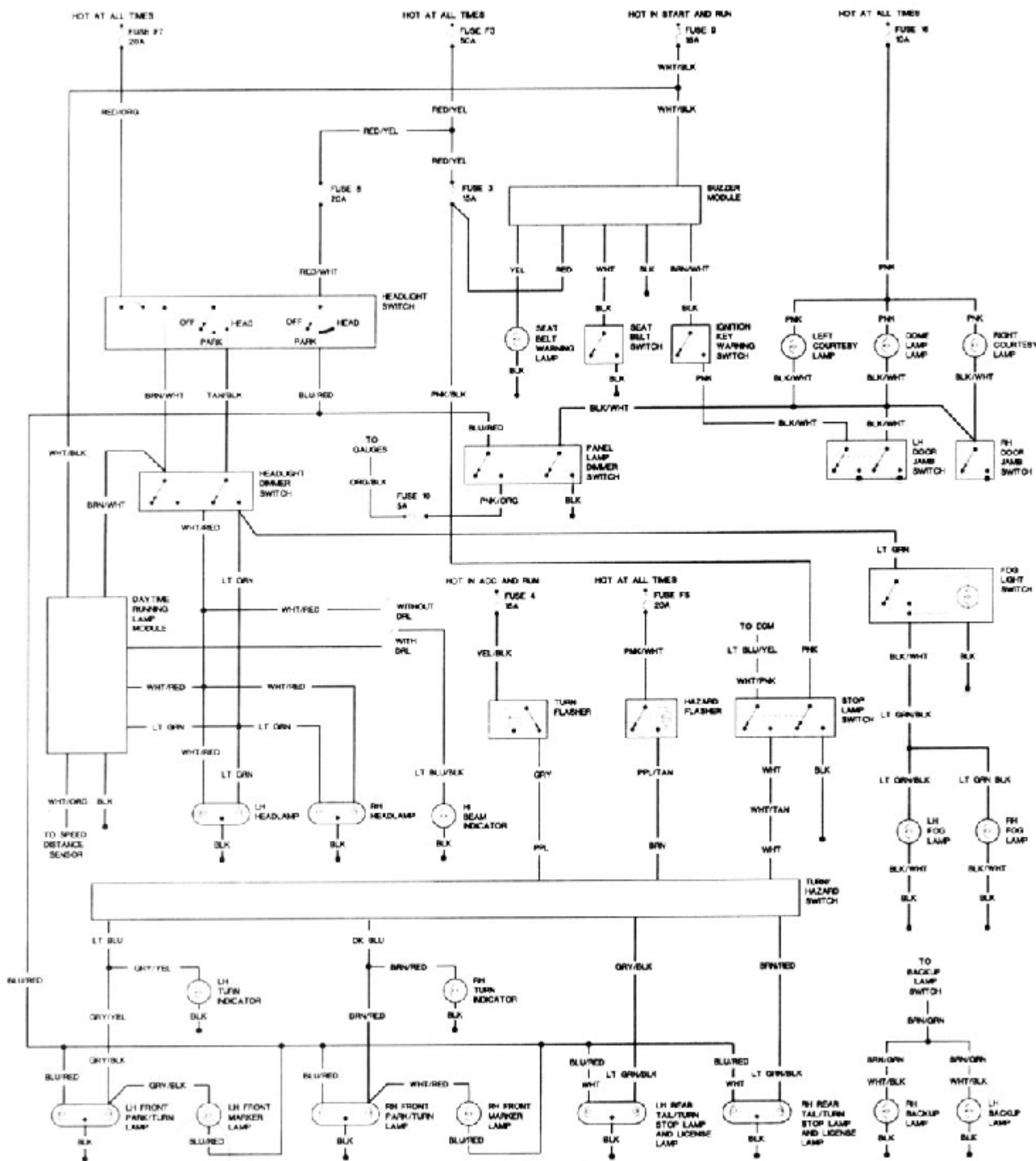
8536065

Fig. 95 Body — 1991 Wrangler



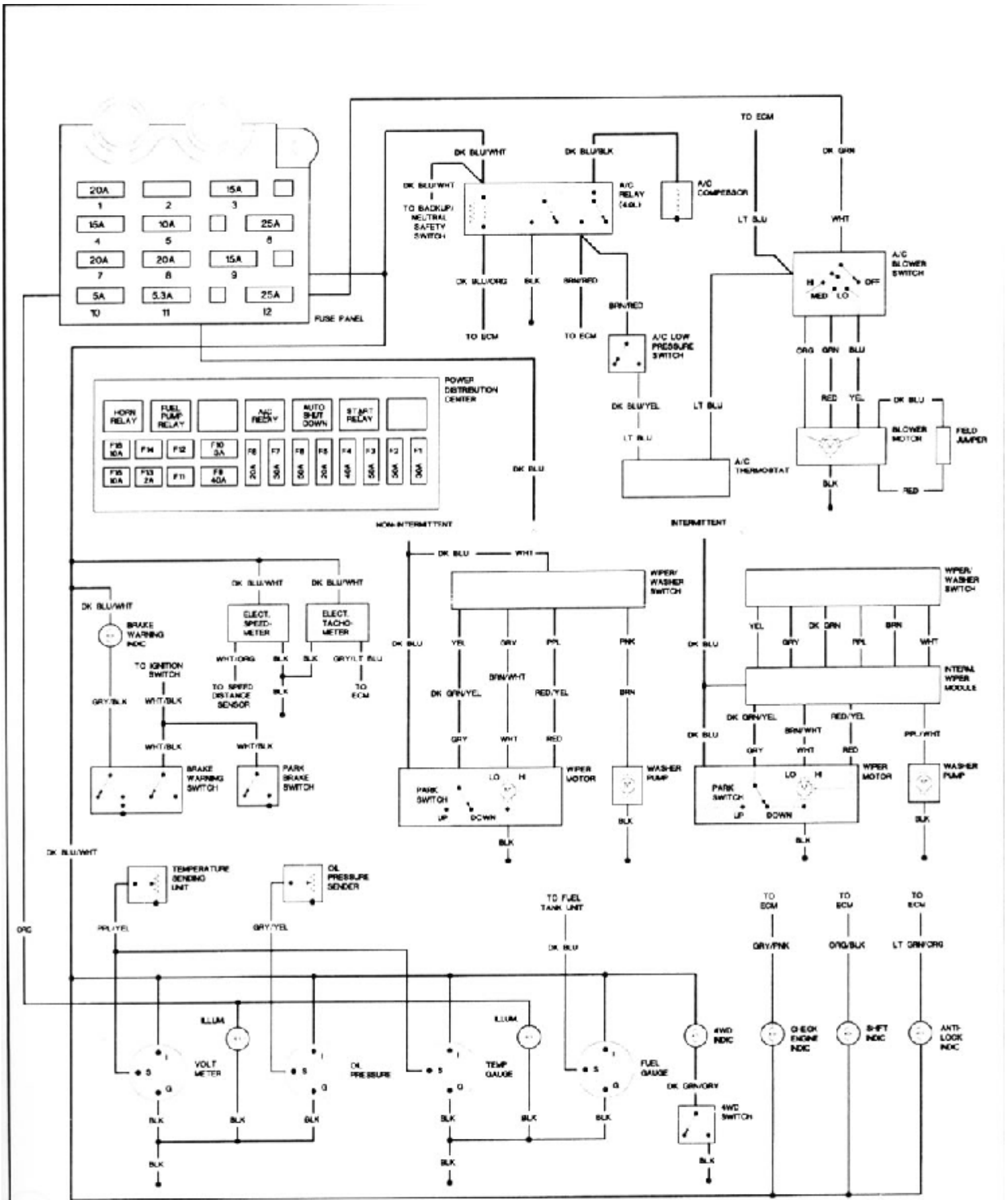
8535608

Fig. 98 Body — 1992 Wrangler



8509099

Fig. 99 Body — 1992 Wrangler



55356102

Fig. 102 Body — 1993 Wrangler

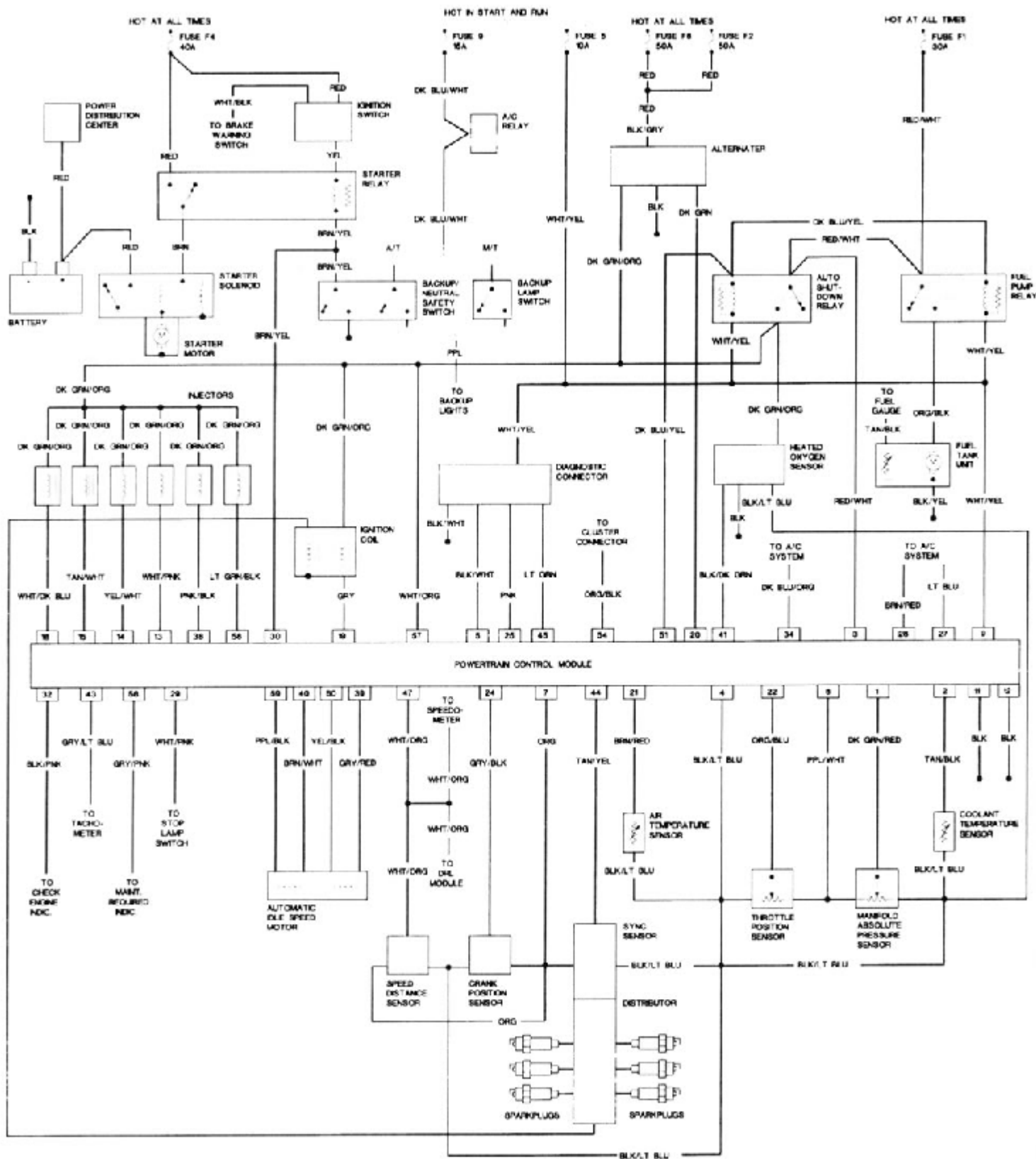
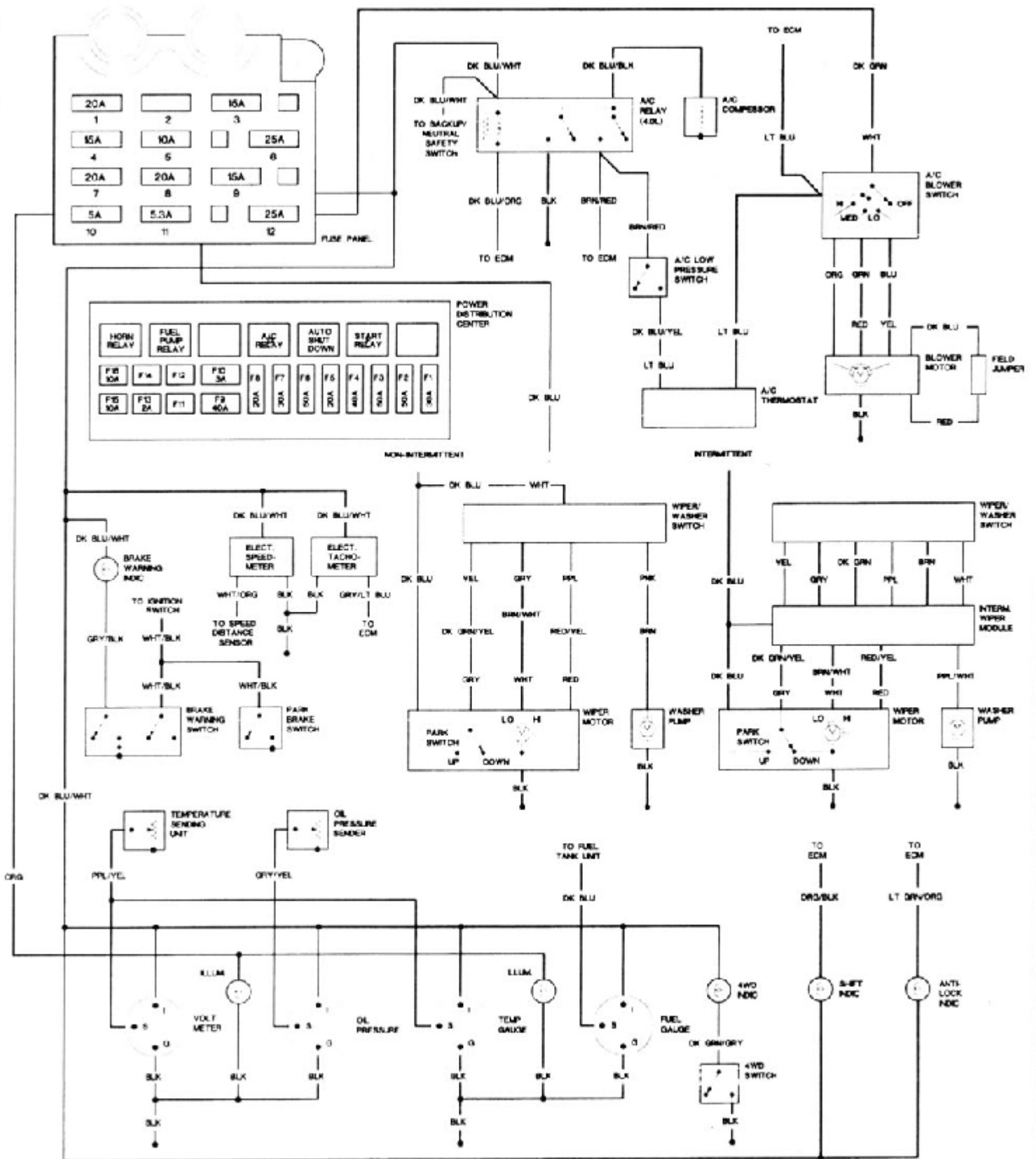
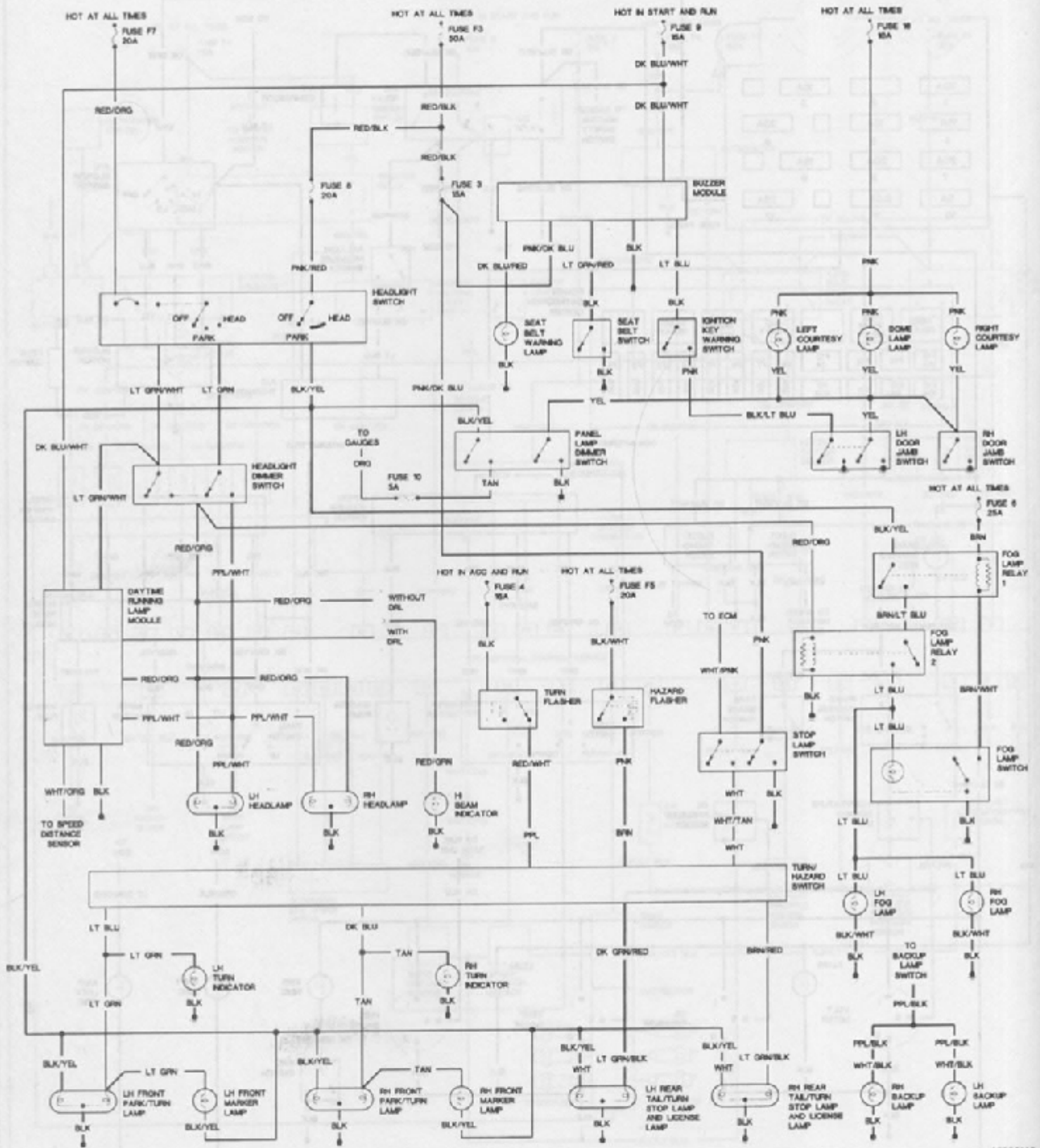


Fig. 103 Body — 1993 Wrangler



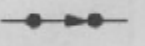

82551.06

Fig. 106 Body — 1994 Wrangler

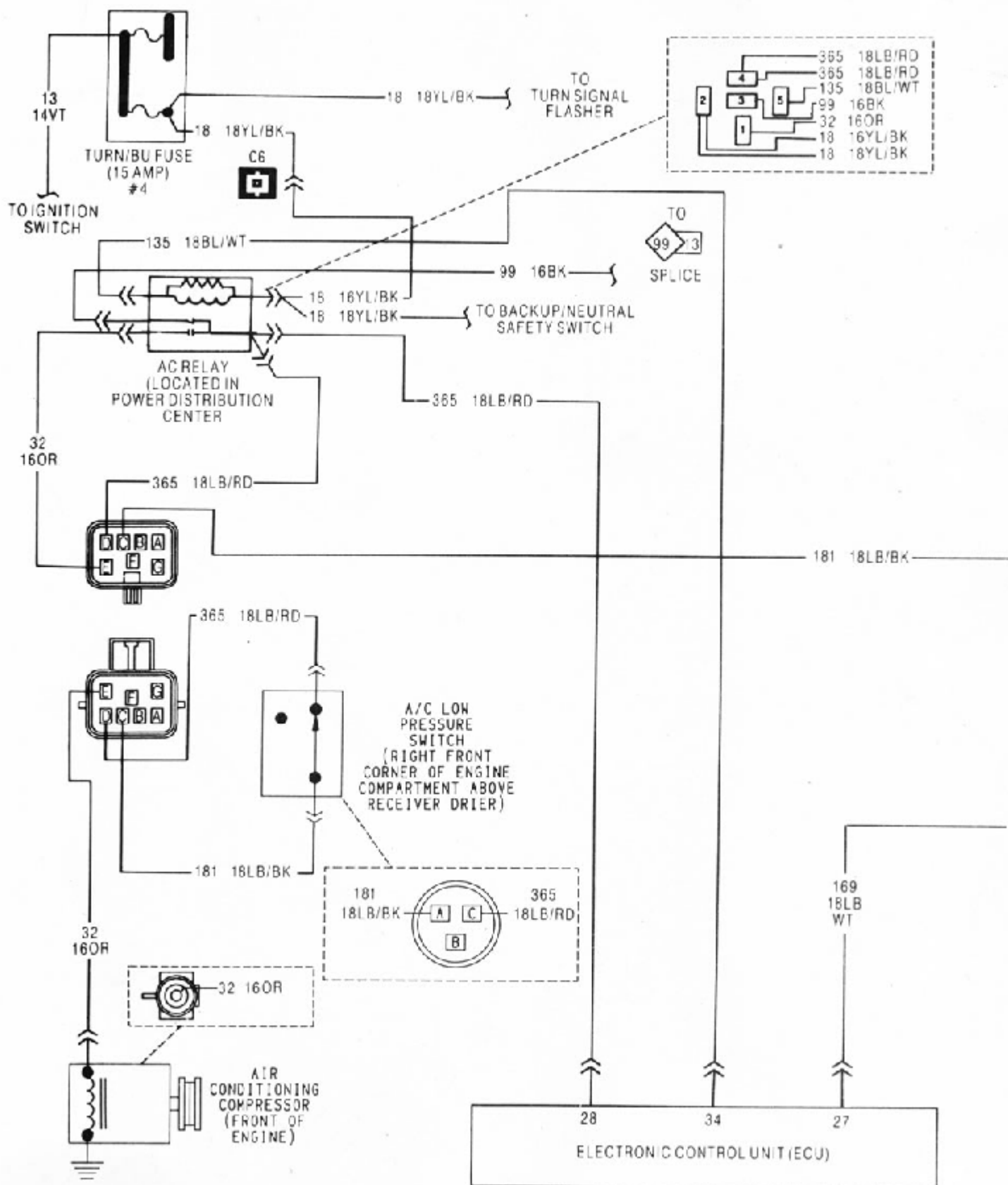


85350107

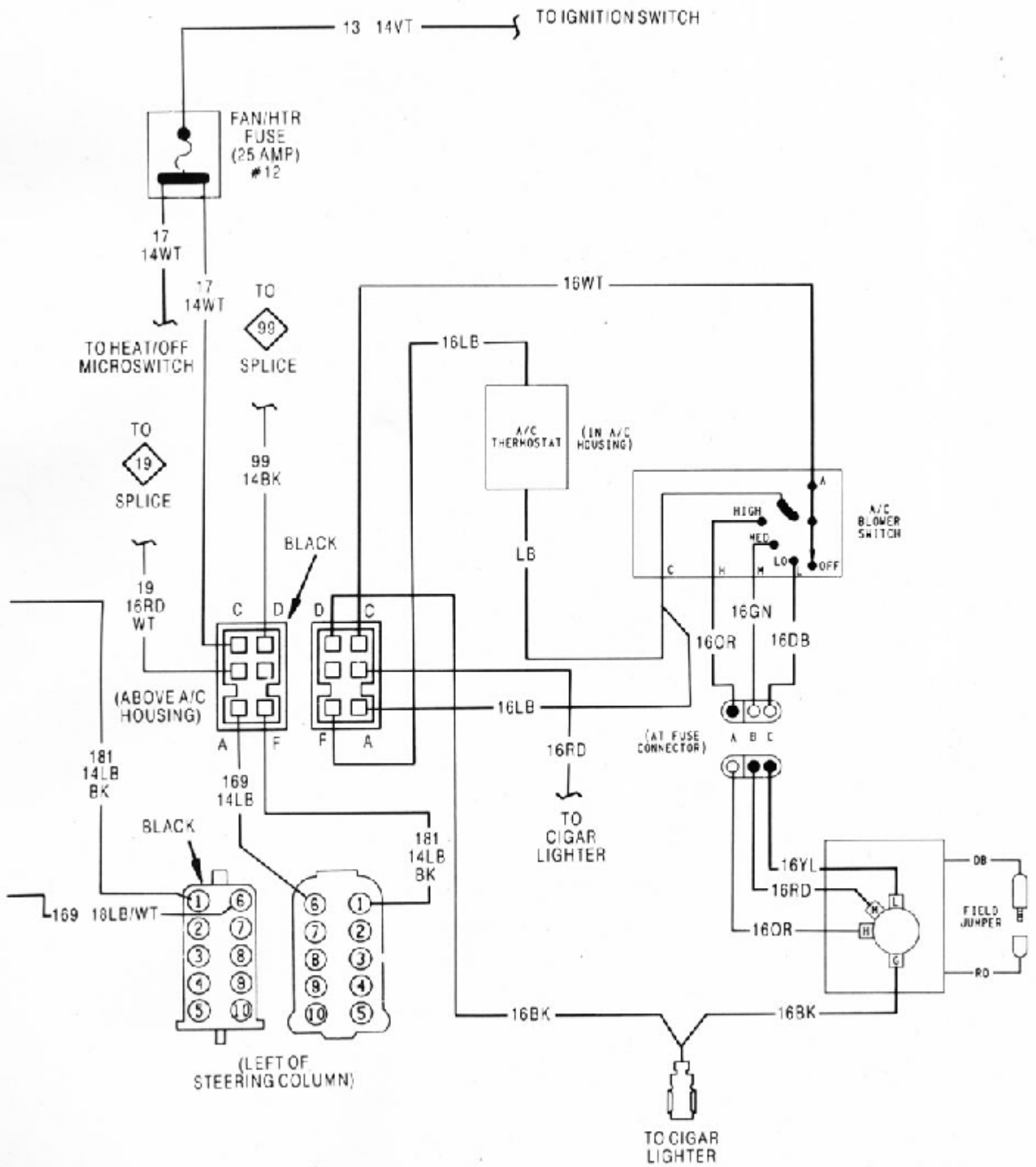
Fig. 107 Body — 1994 Wrangler

	POSITIVE		CONNECTOR
	NEGATIVE		MALE CONNECTOR
	GROUND		FEMALE CONNECTOR
	FUSE		MULTIPLE CONNECTOR
	CIRCUIT BREAKER		DENOTES WIRE CONTINUES ELSEWHERE
	CAPACITOR		SPLICE
	OHMS		SPLICE IDENTIFICATION
	RESISTOR		OPTIONAL WIRING WITH WIRING WITHOUT
	VARIABLE RESISTOR		THERMAL ELEMENT (BI-METAL STRIP)
	SERIES RESISTOR		"Y" WINDINGS
	COIL		"DELTA" WINDINGS
	STEP UP COIL		DIGITAL READOUT
	OPEN CONTACT		SINGLE FILAMENT LAMP
	CLOSED CONTACT		DUAL FILAMENT LAMP
	CLOSED SWITCH		L.E.D.-LIGHT EMITTING DIODE
	OPEN SWITCH		THERMISTOR
	CLOSED GANGED SWITCH		GAUGE
	OPEN GANGED SWITCH		TIMER
	TWO POLE SINGLE THROW SWITCH		MOTOR
	PRESSURE SWITCH		ARMATURE AND BRUSHES
	SOLENOID SWITCH		DENOTES WIRE GOES THROUGH GROMMET
	MERCURY SWITCH		DENOTES WIRE GOES THROUGH 40 WAY DISCONNECT
	DIODE OR RECTIFIER		DENOTES WIRE GOES THROUGH 11 WAY STEERING COLUMN CONNECTOR
	BY-DIRECTIONAL ZENER DIODE		

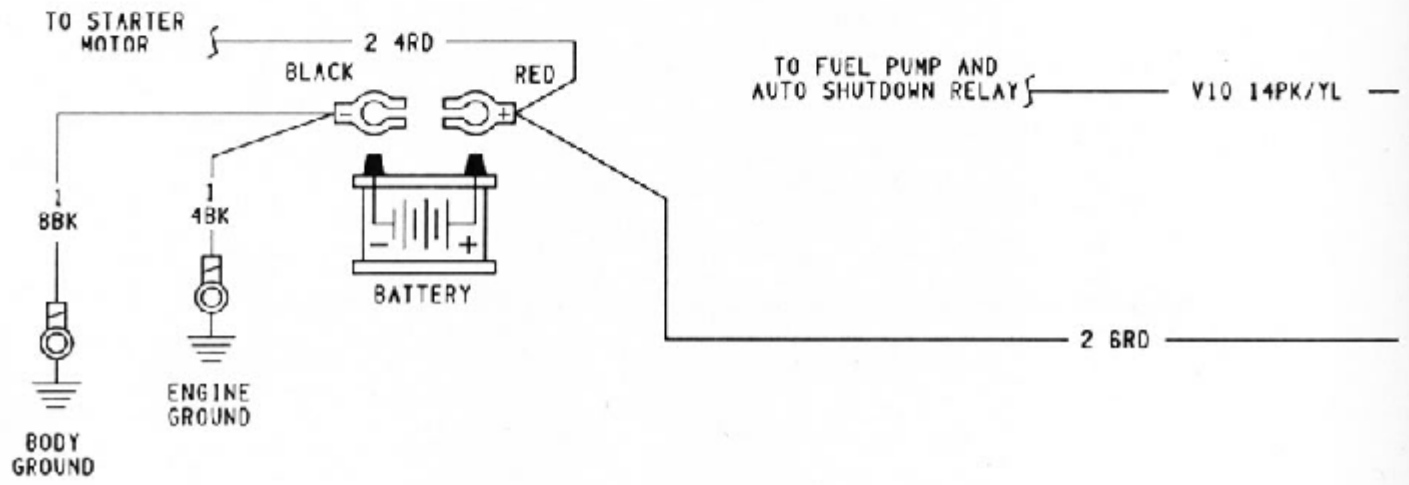
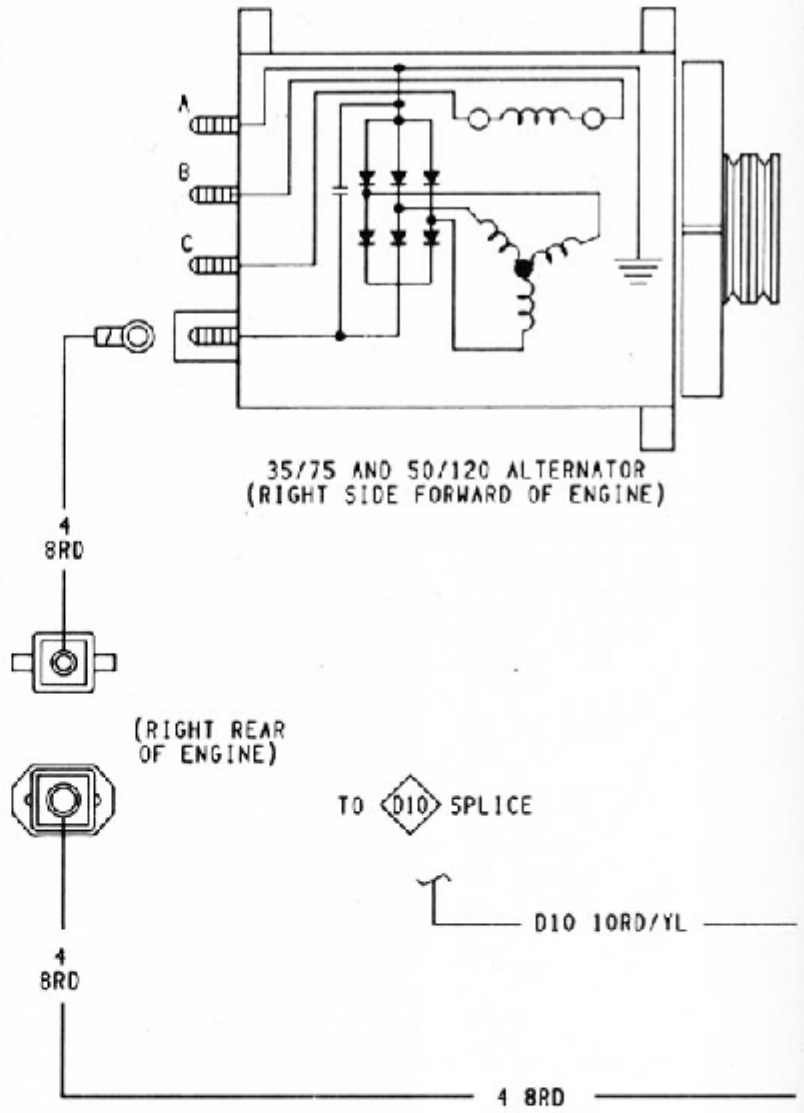
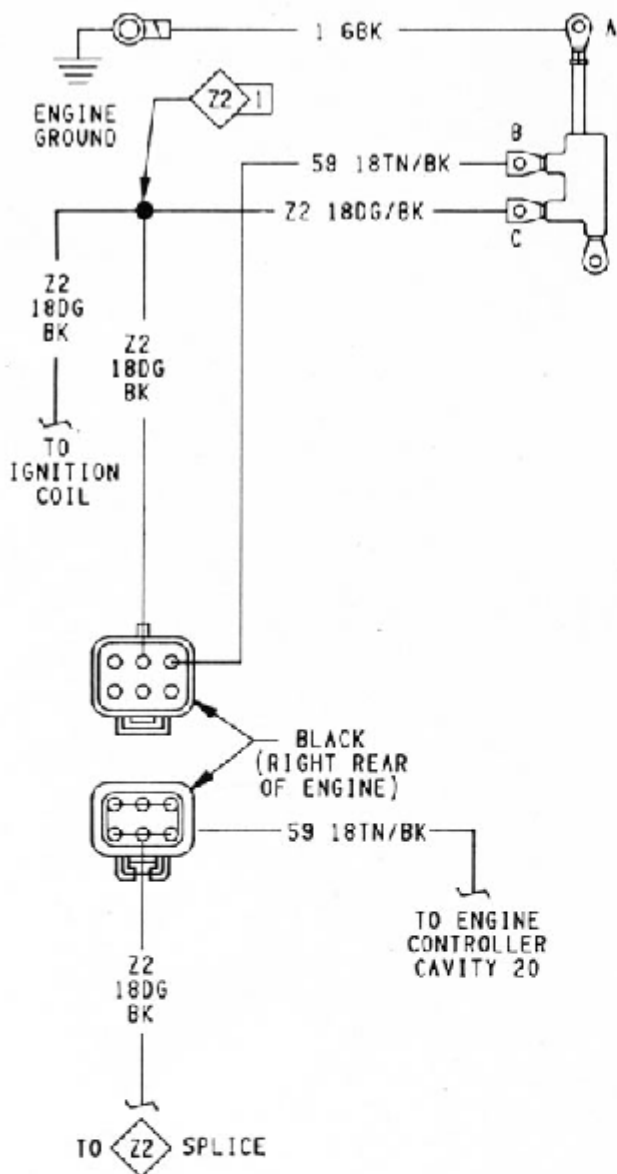
Wiring diagram legend



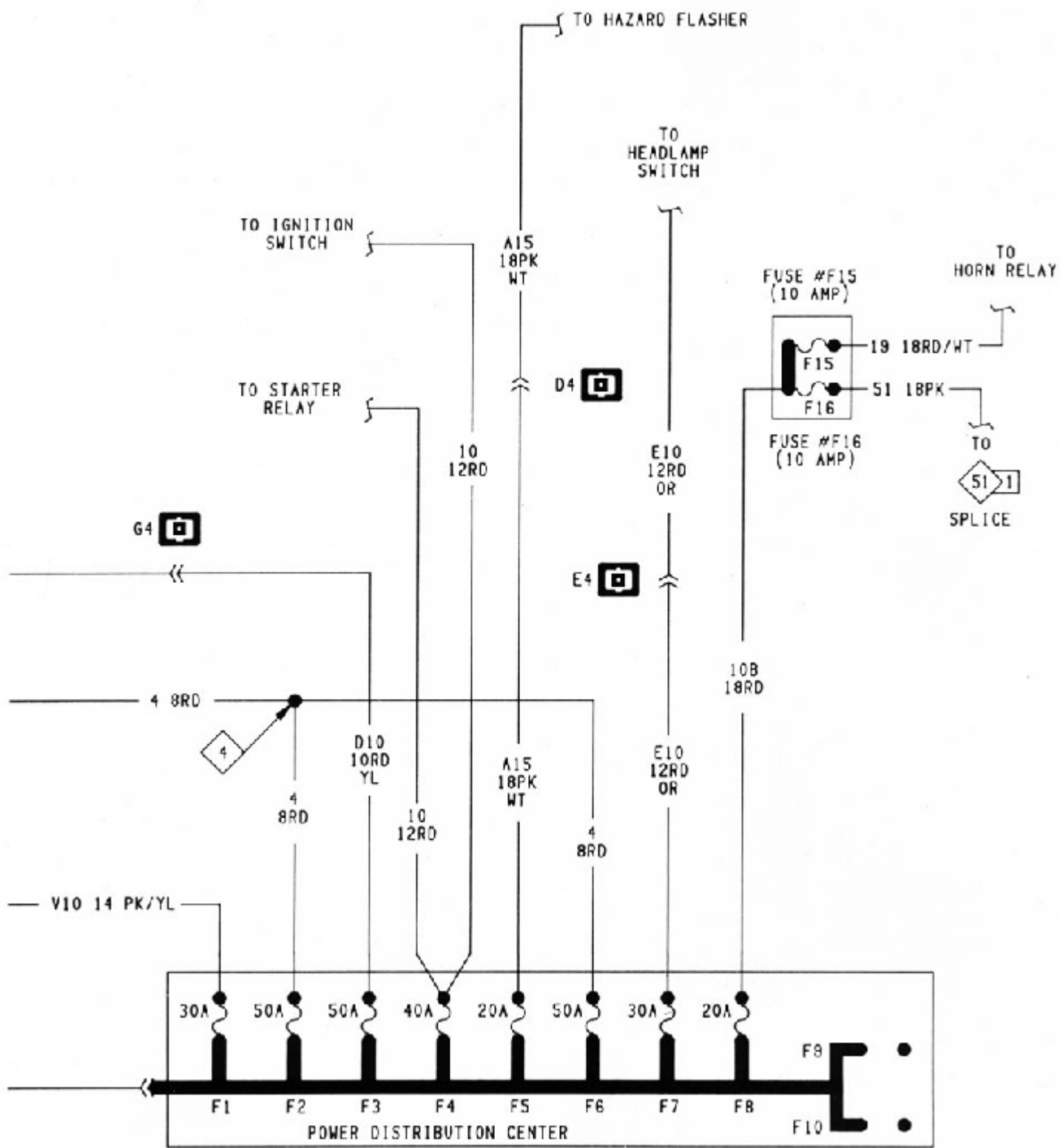
Typical air conditioning system wiring diagram (1 of 2)



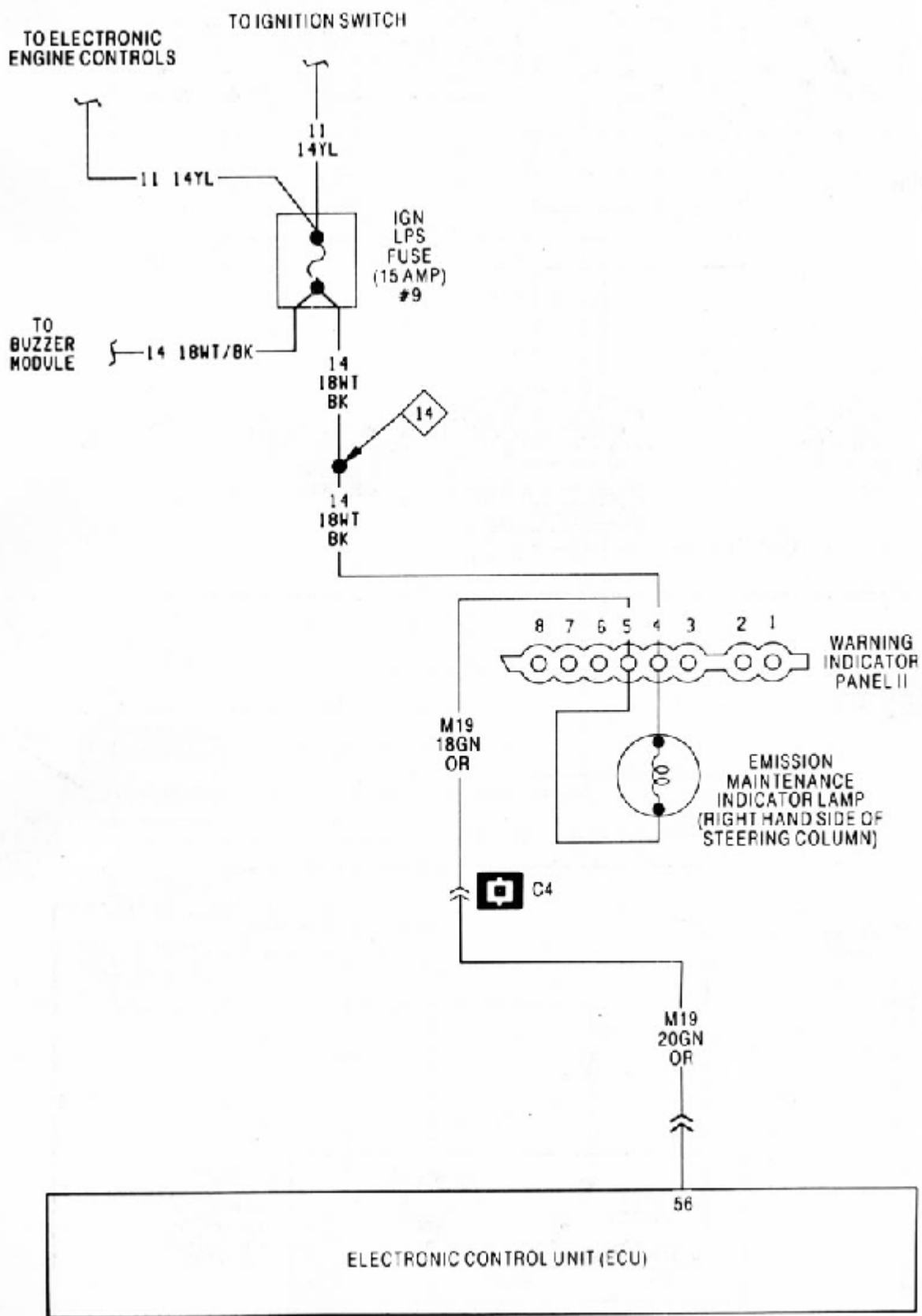
Typical air conditioning system wiring diagram (2 of 2)



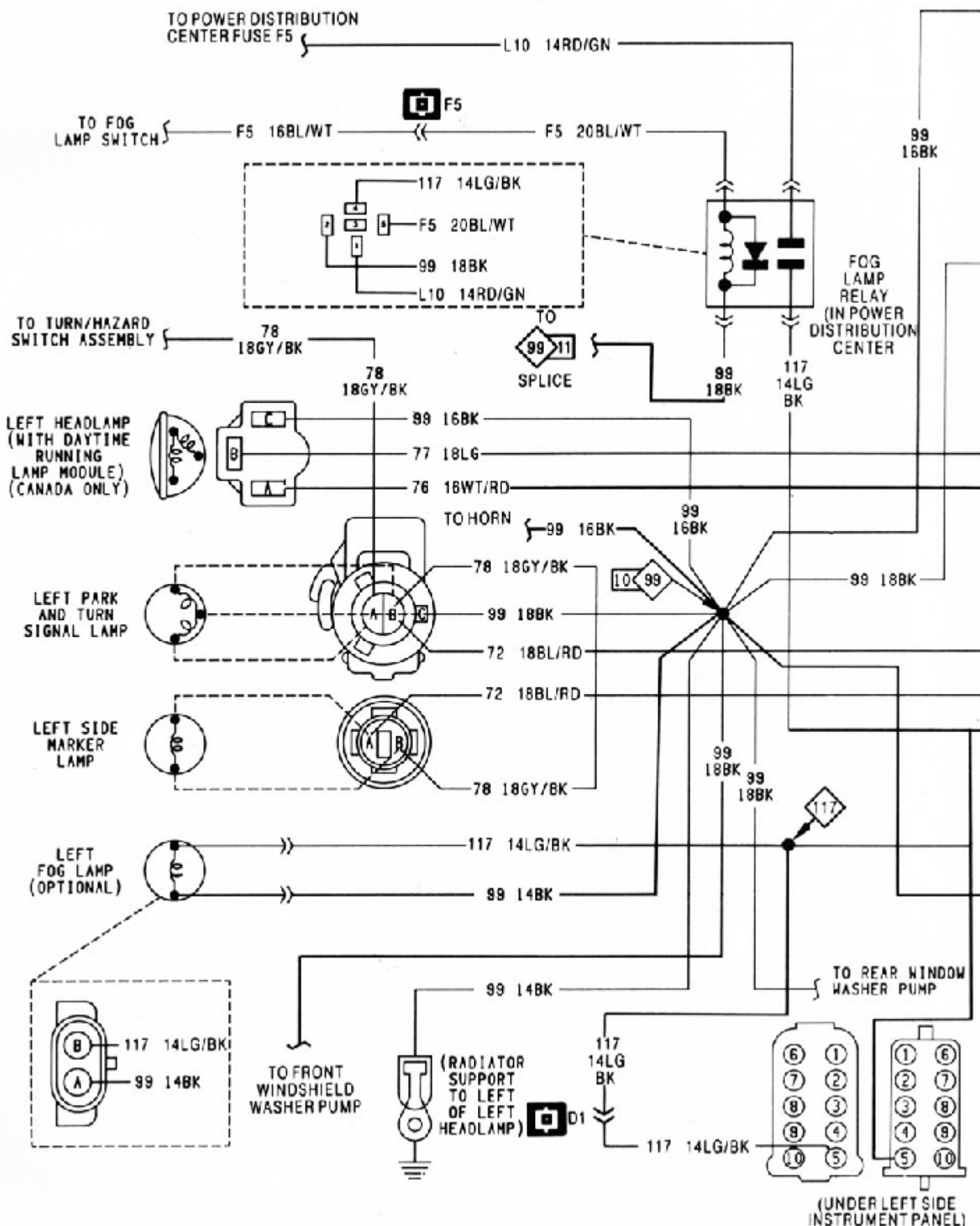
Typical charging system wiring diagram (1 of 2)



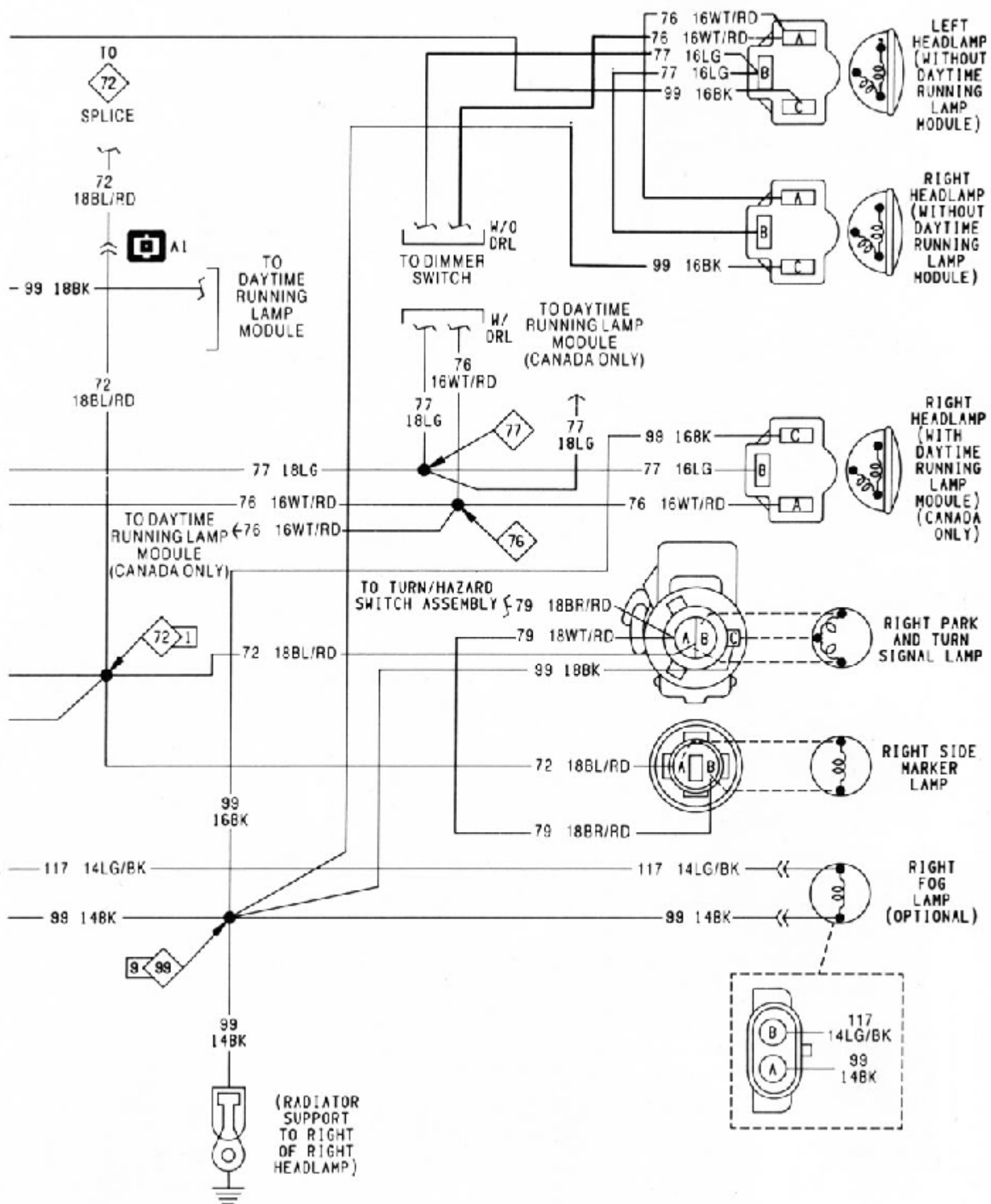
Typical charging system wiring diagram (2 of 2)



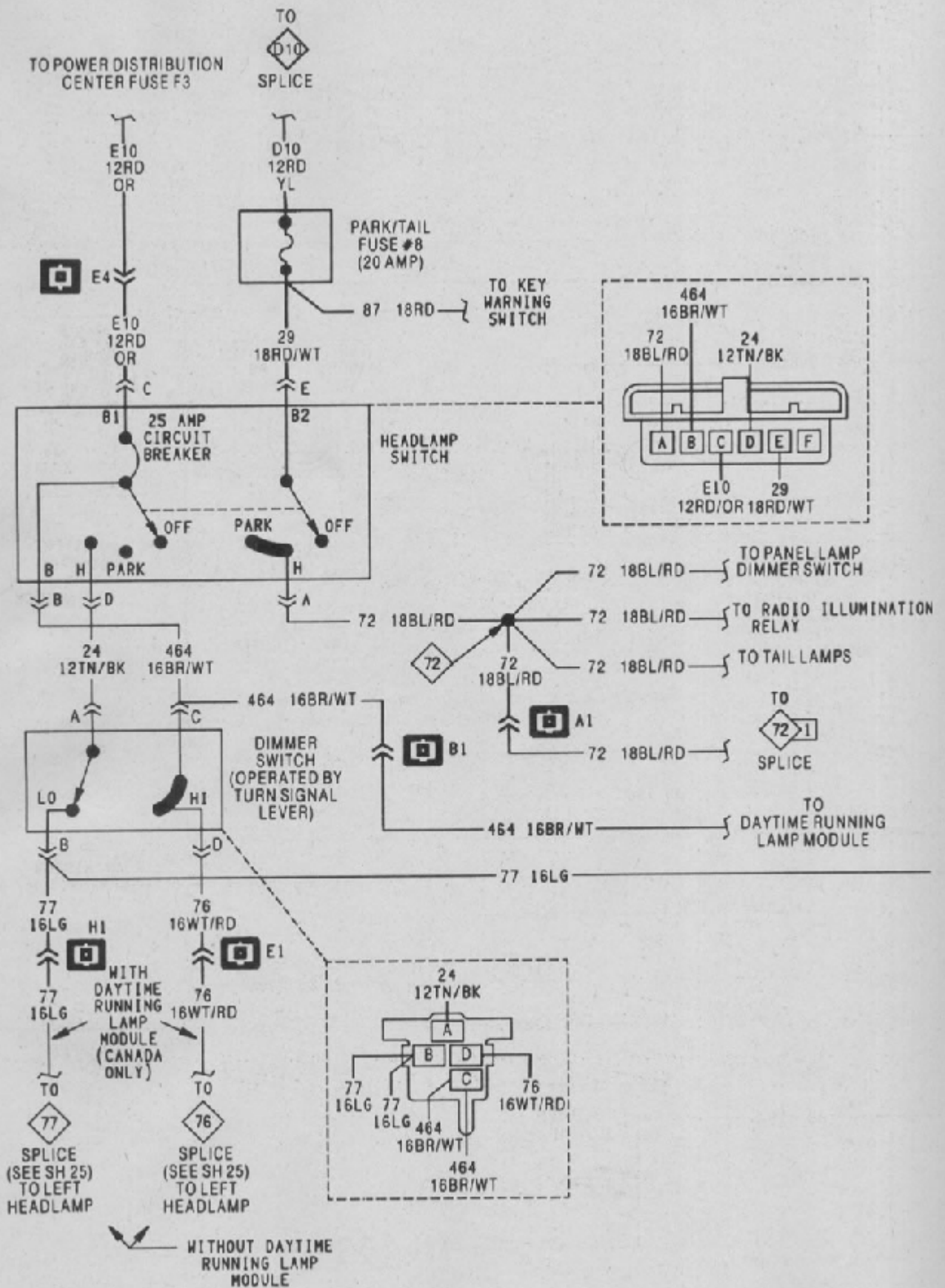
Typical emission maintenance reminder wiring diagram



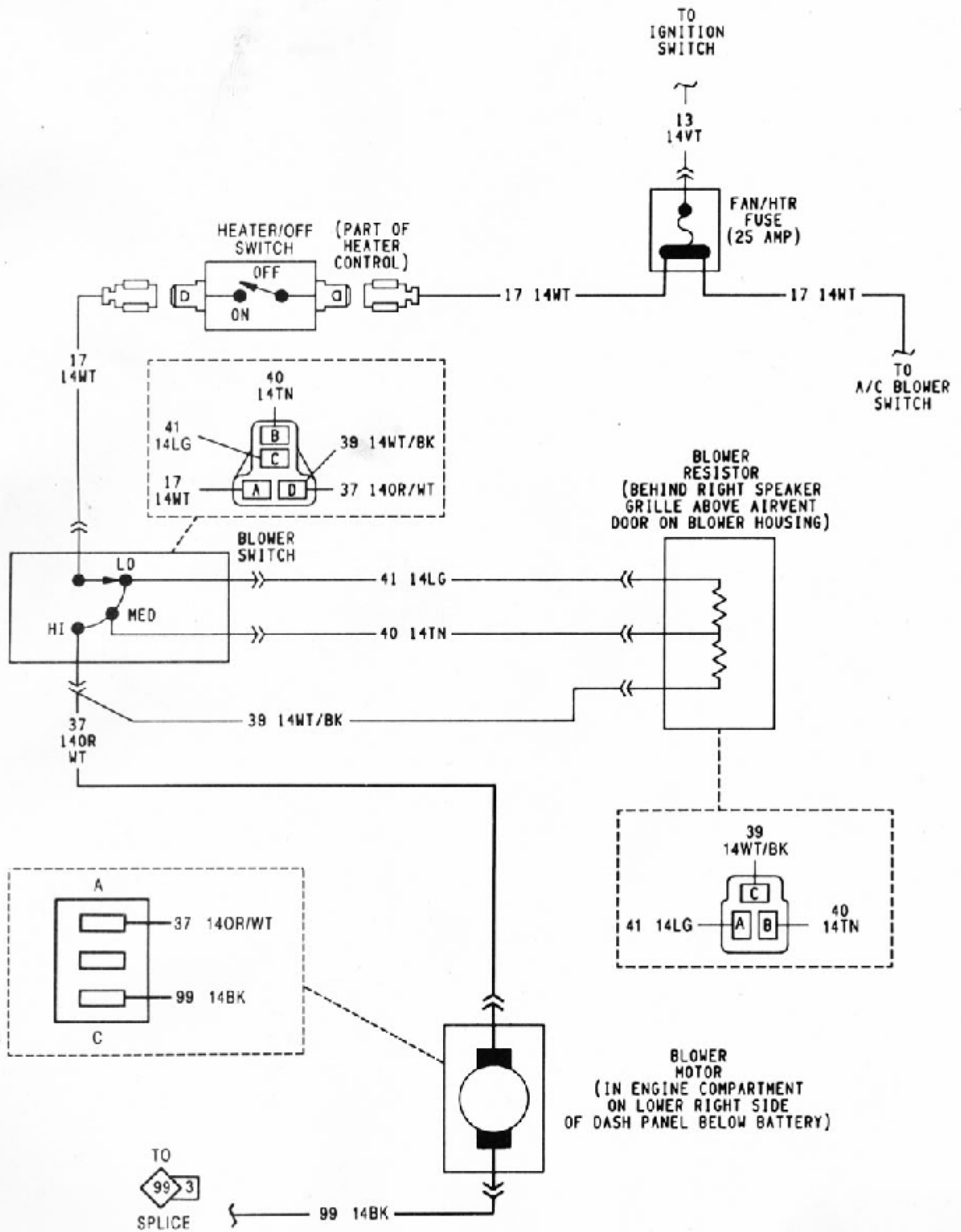
Typical front end lighting wiring diagram (1 of 2)



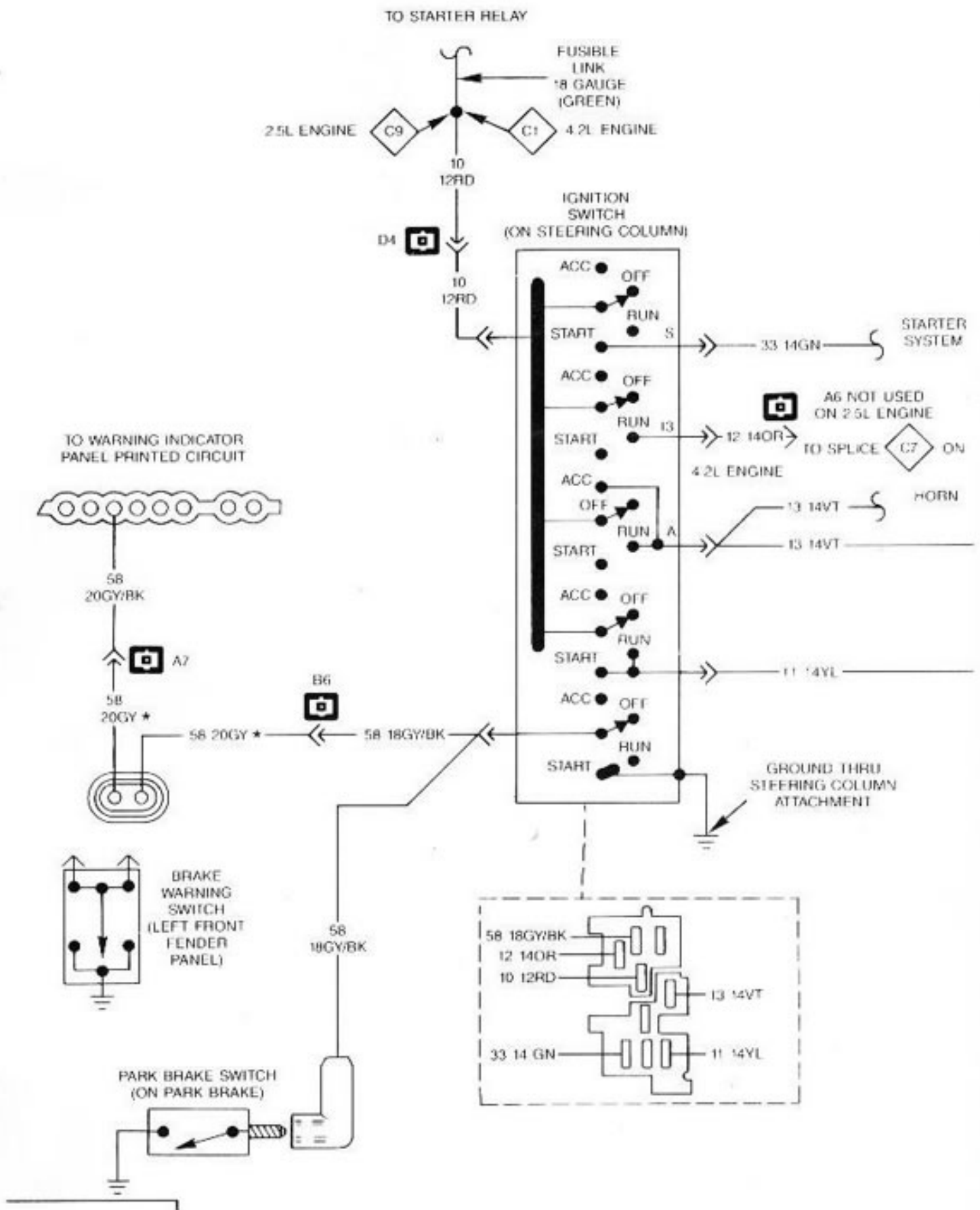
Typical front end lighting wiring diagram (2 of 2)



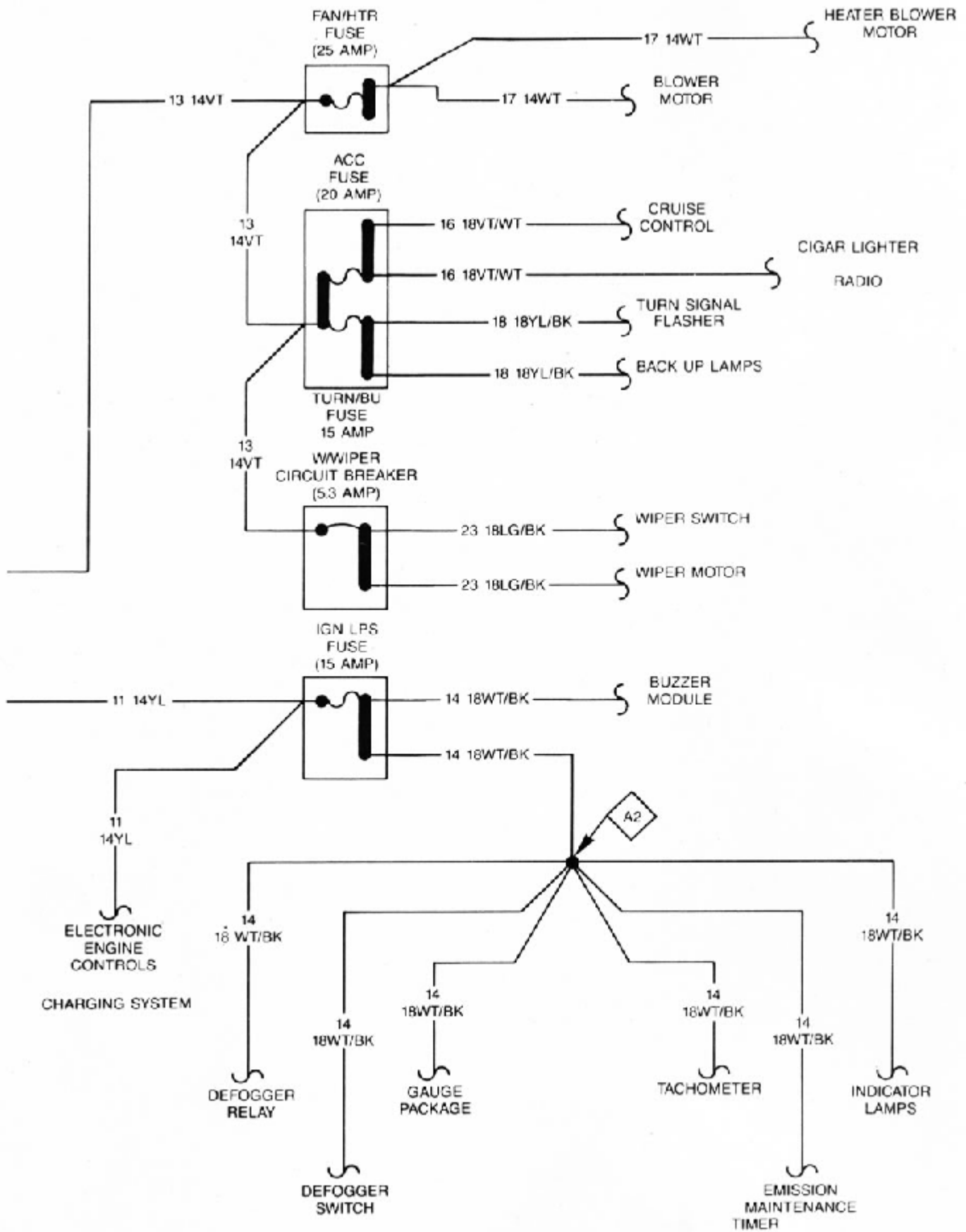
Typical headlight switch wiring diagram



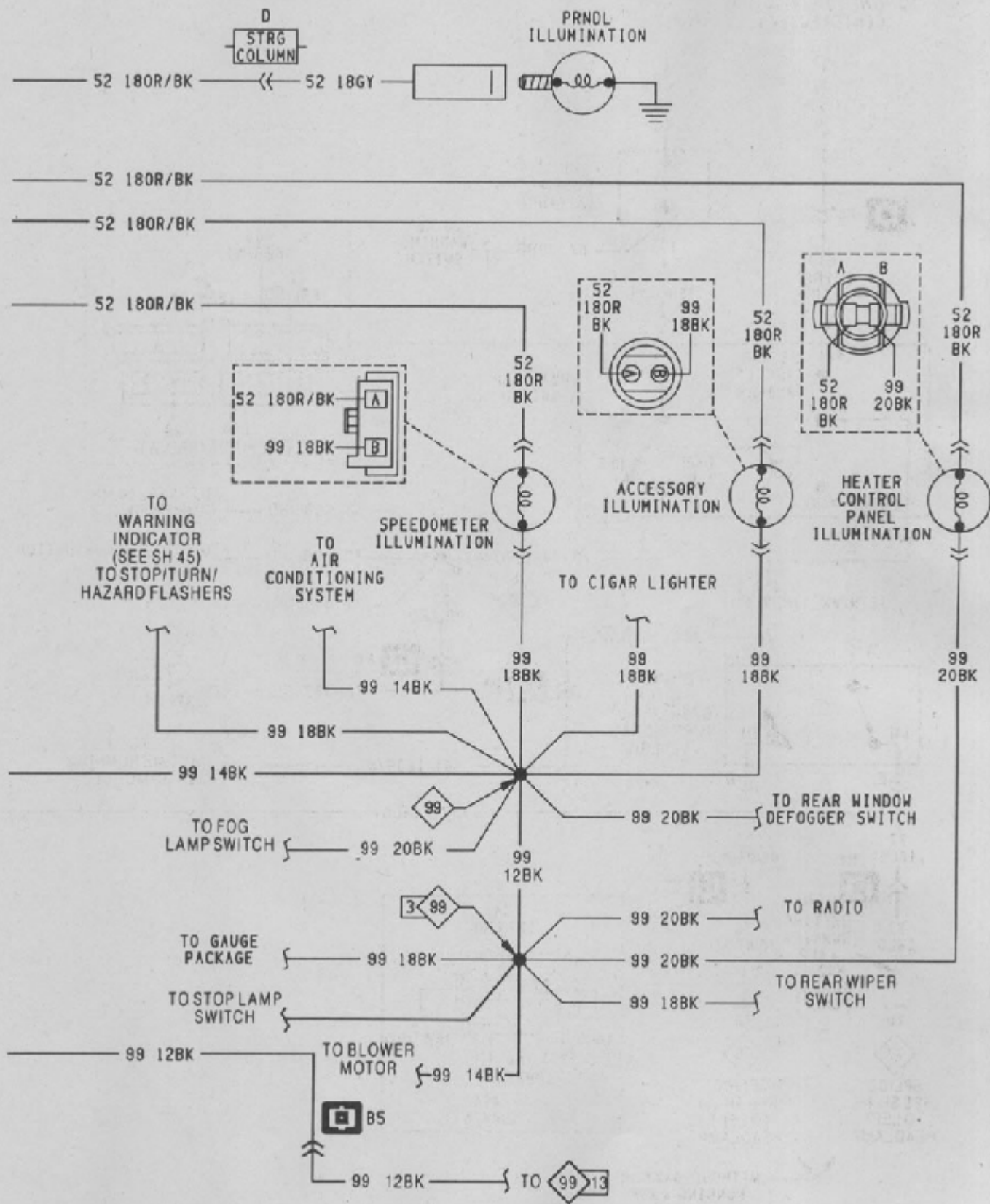
Typical heater system wiring diagram



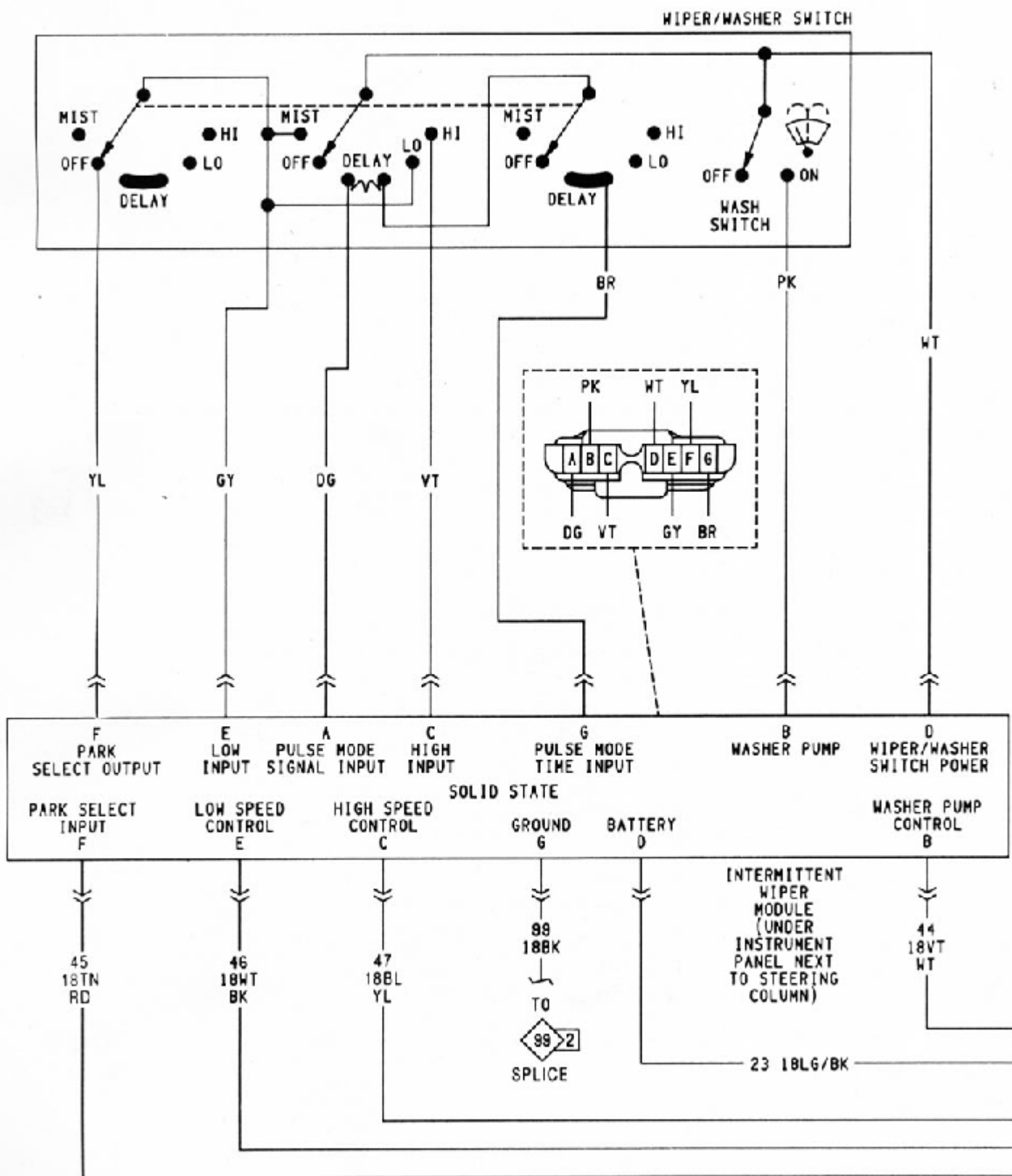
Typical ignition switch wiring diagram (1 of 2)



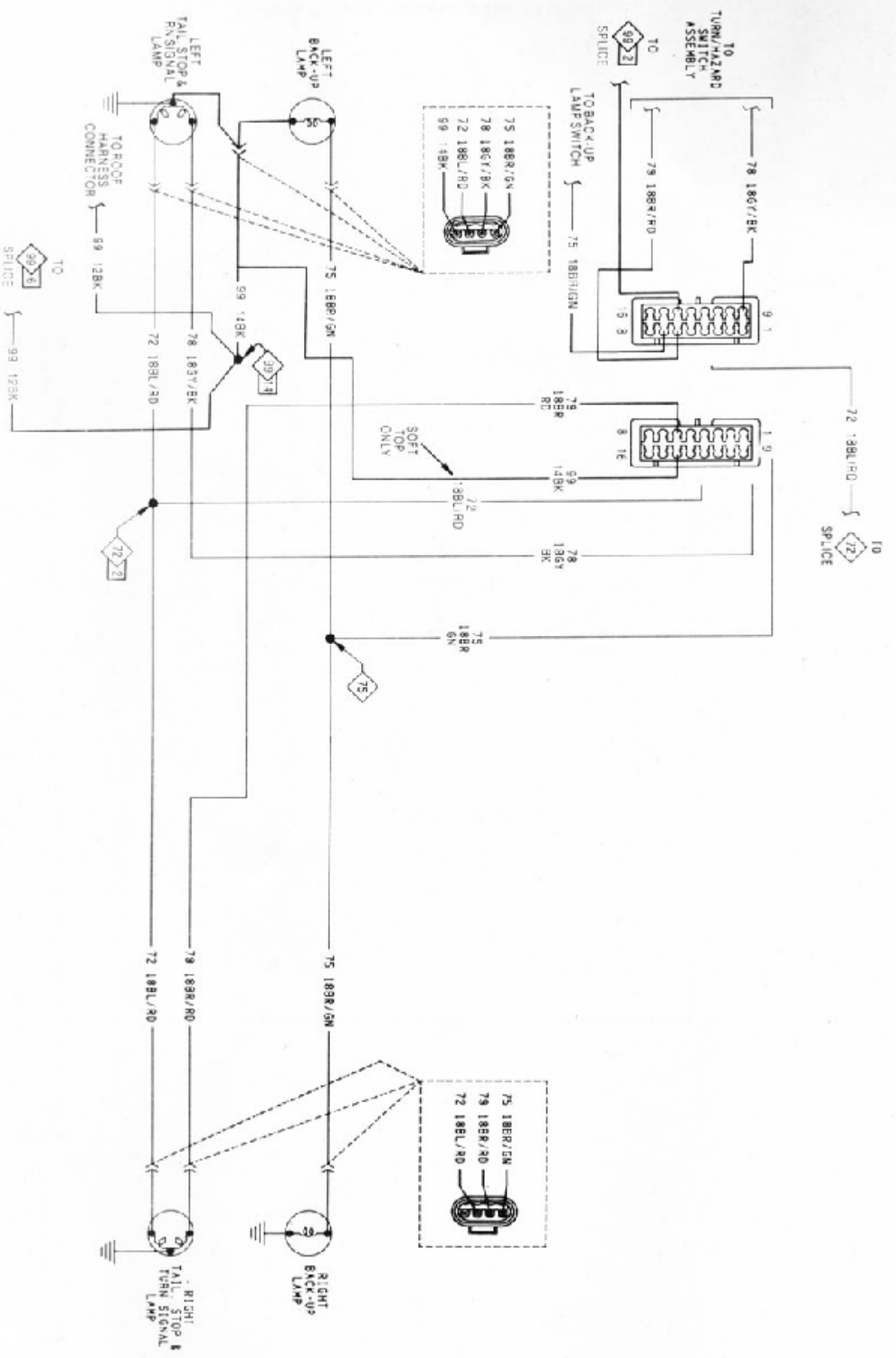
Typical ignition switch wiring diagram (2 of 2)



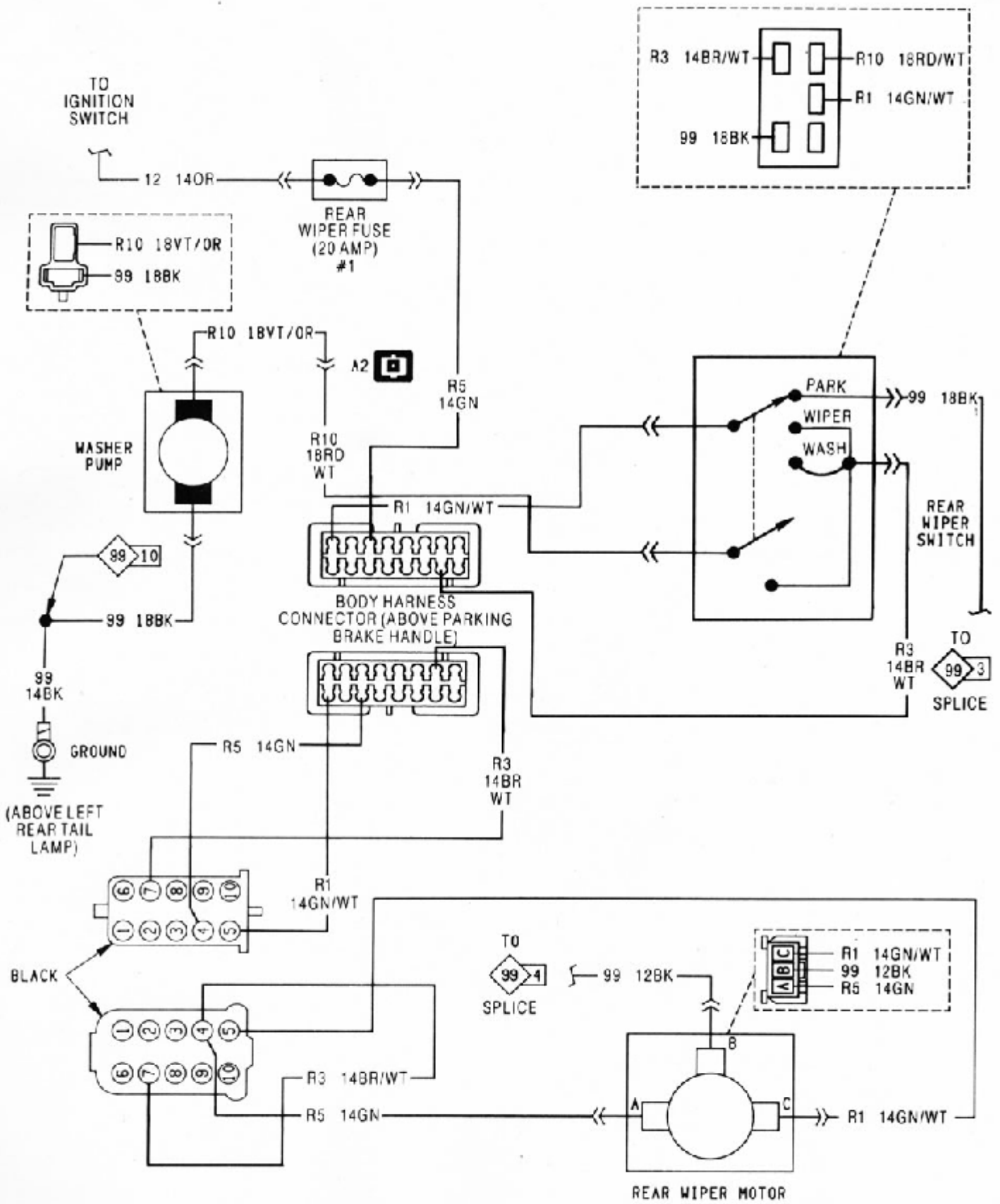
Typical instrument panel lighting wiring diagram



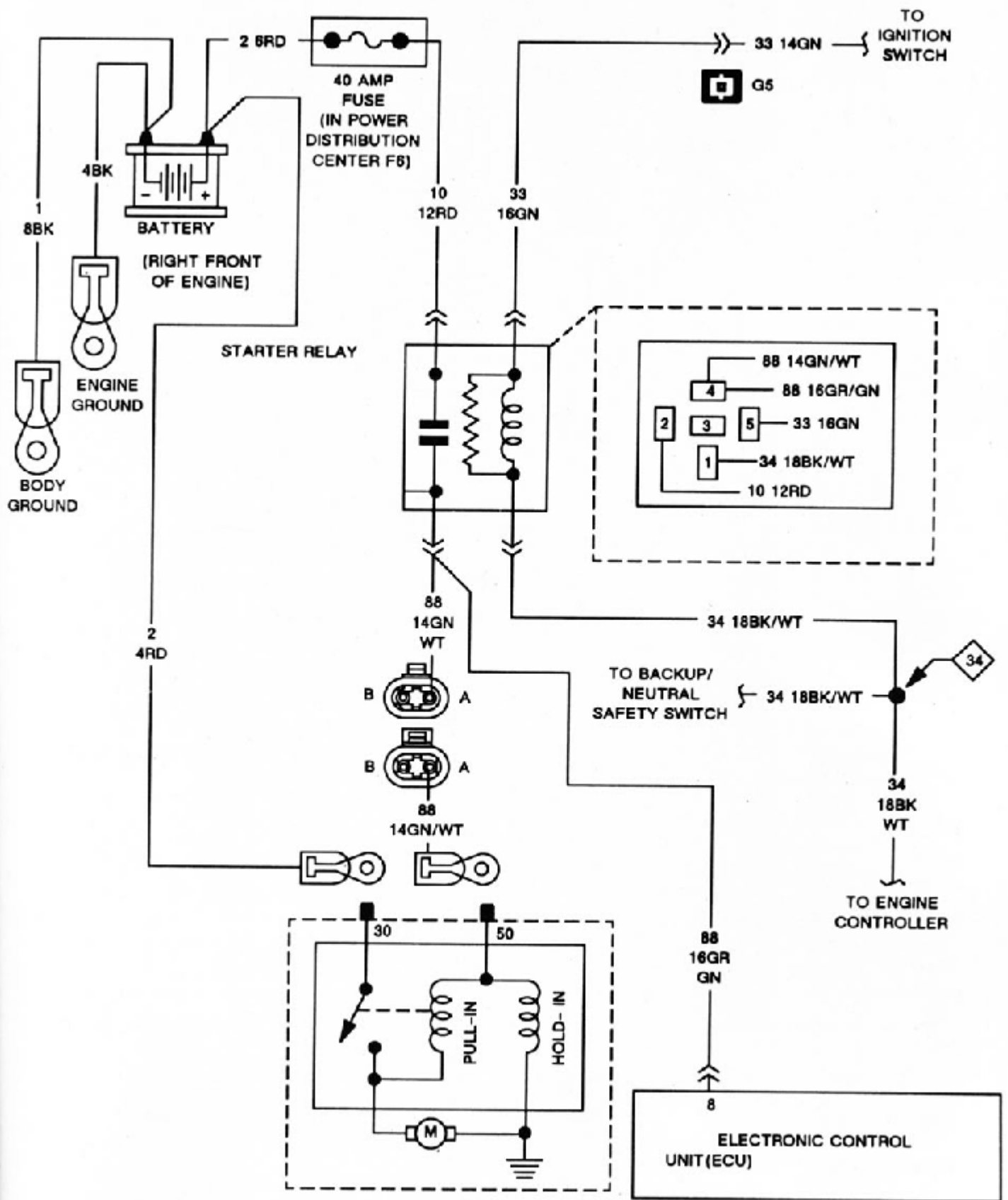
Typical Intermittent windshield washer/wiper system wiring diagram (1 of 2)



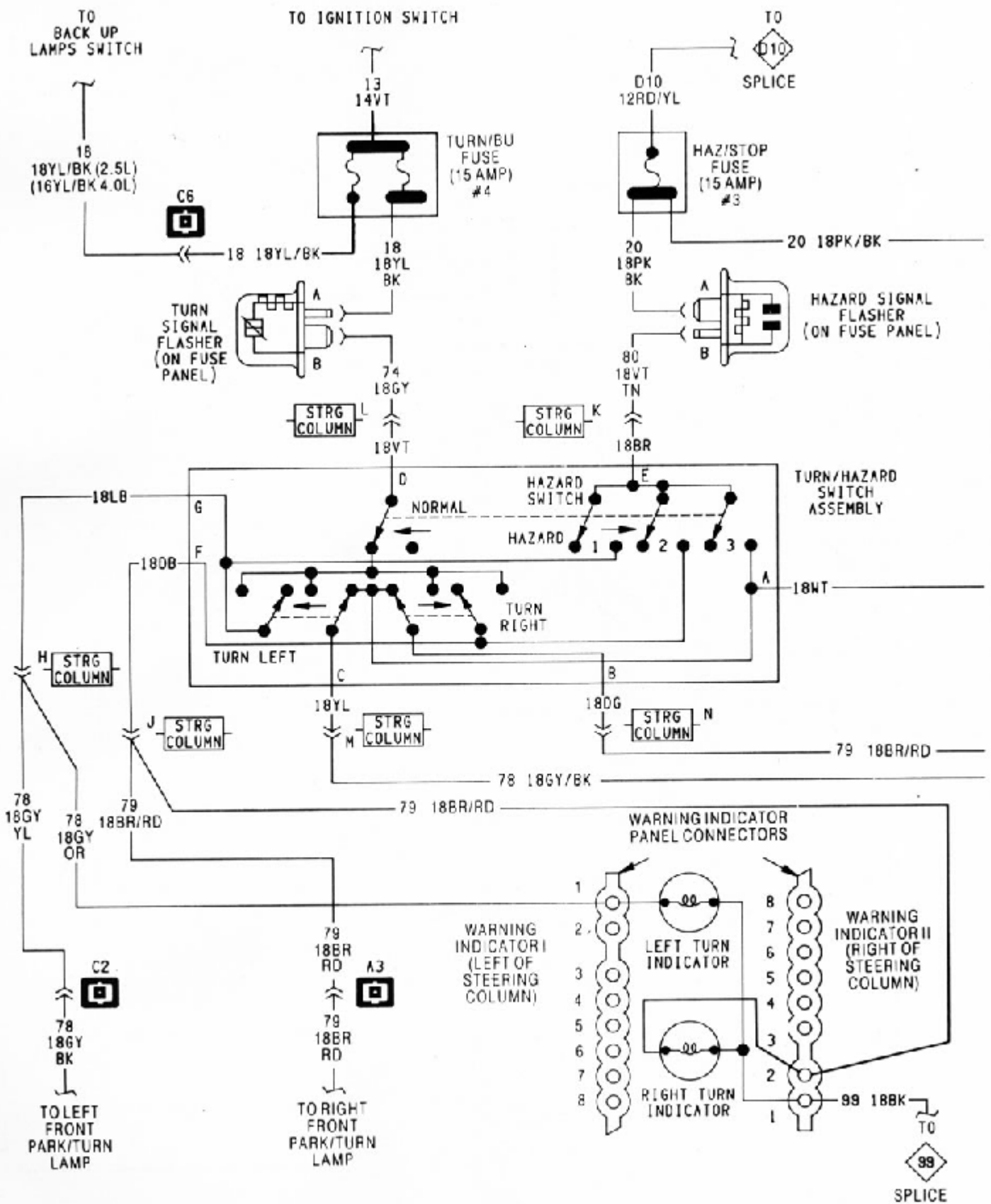
Typical rear lighting wiring diagram



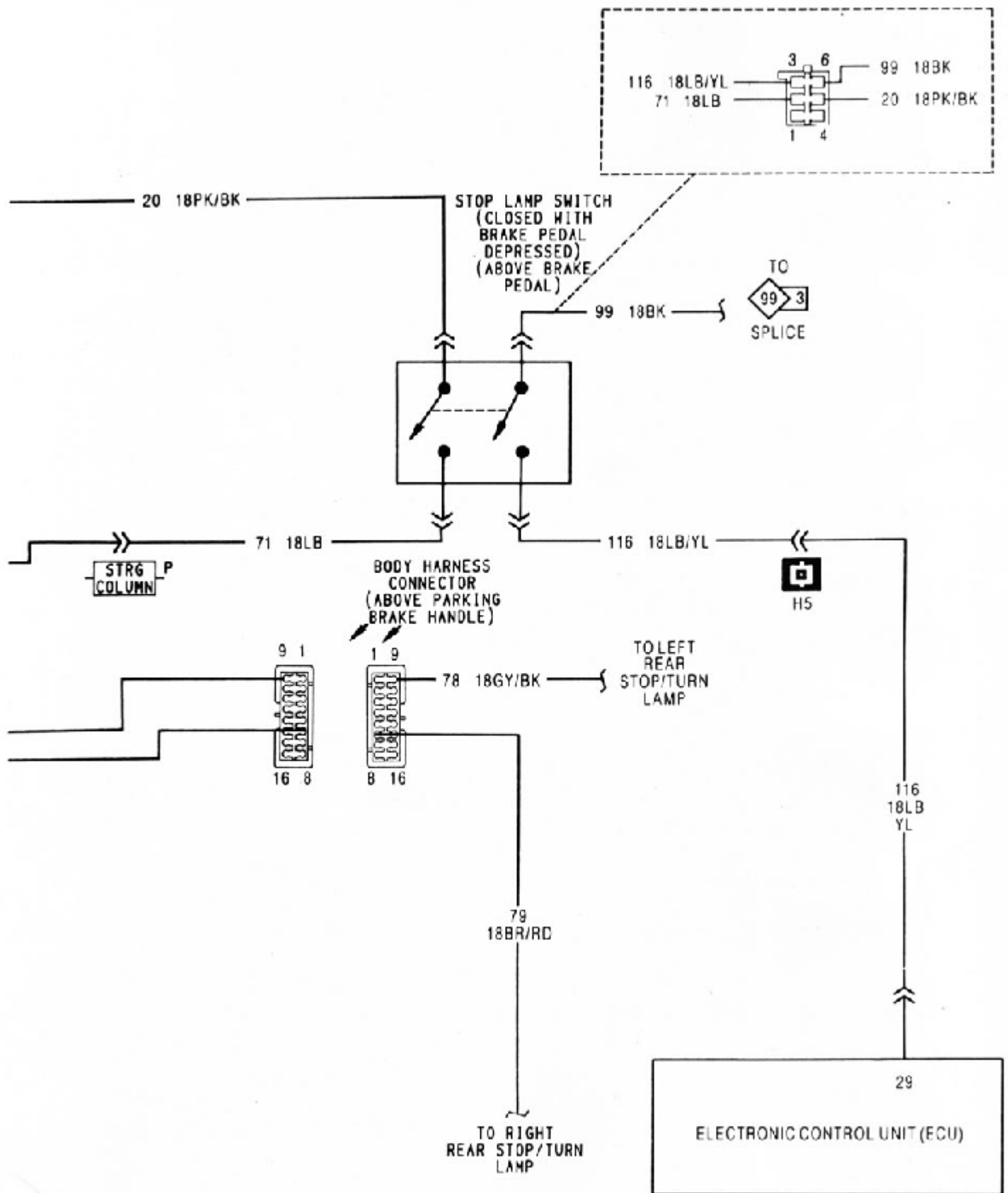
Typical rear washer/wiper system wiring diagram



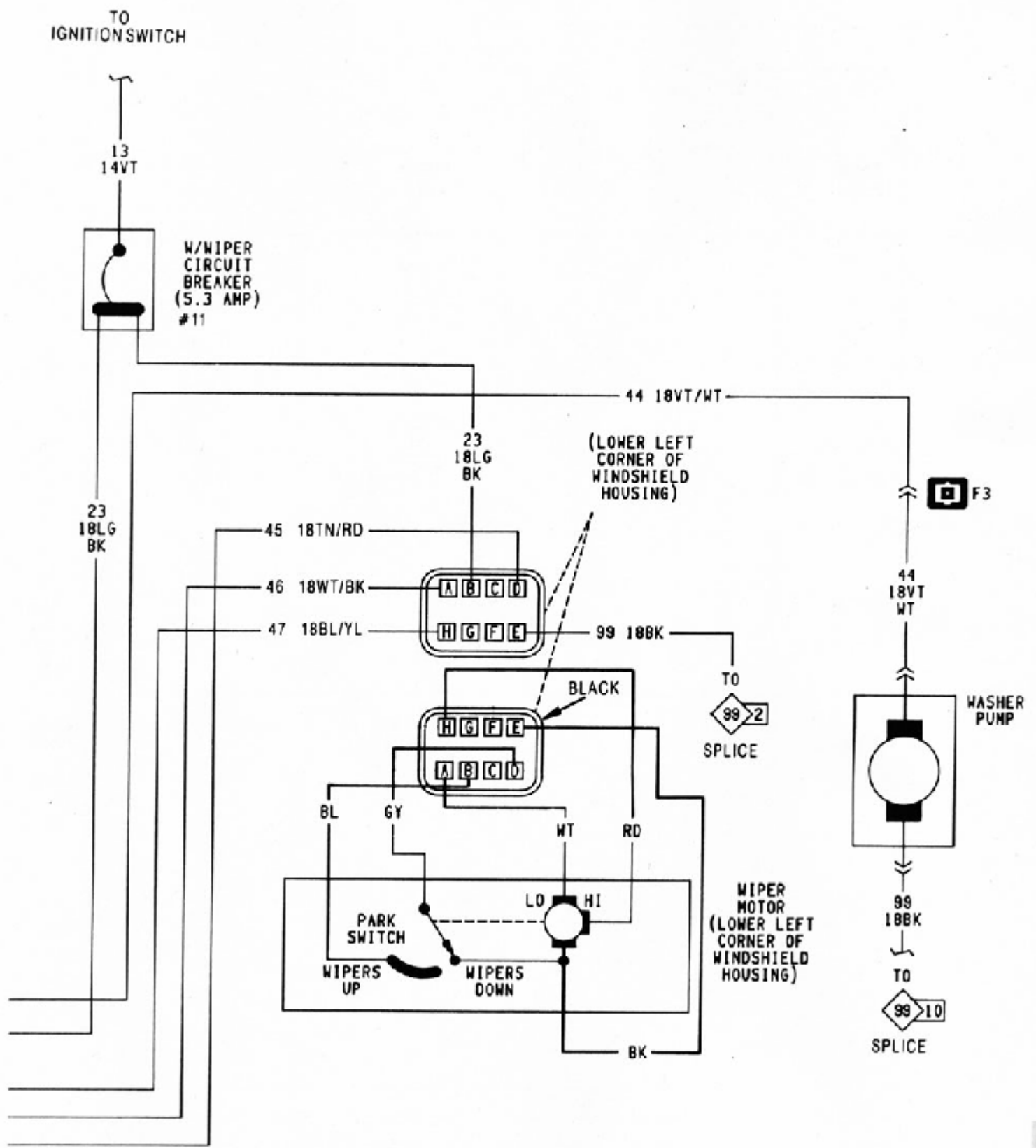
Typical starting system wiring diagram



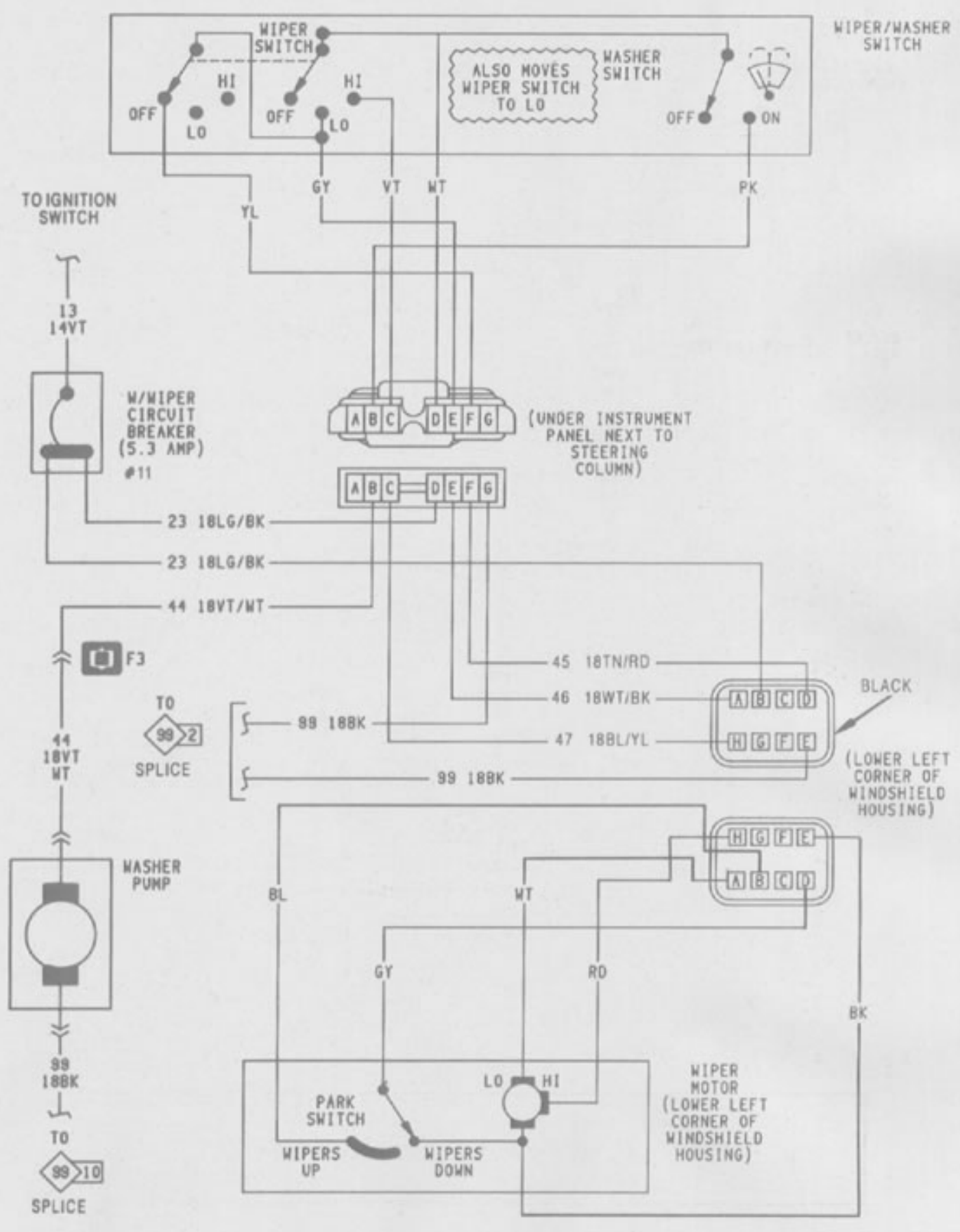
Typical Stop/turn and hazard flasher system wiring diagram (1 of 2)



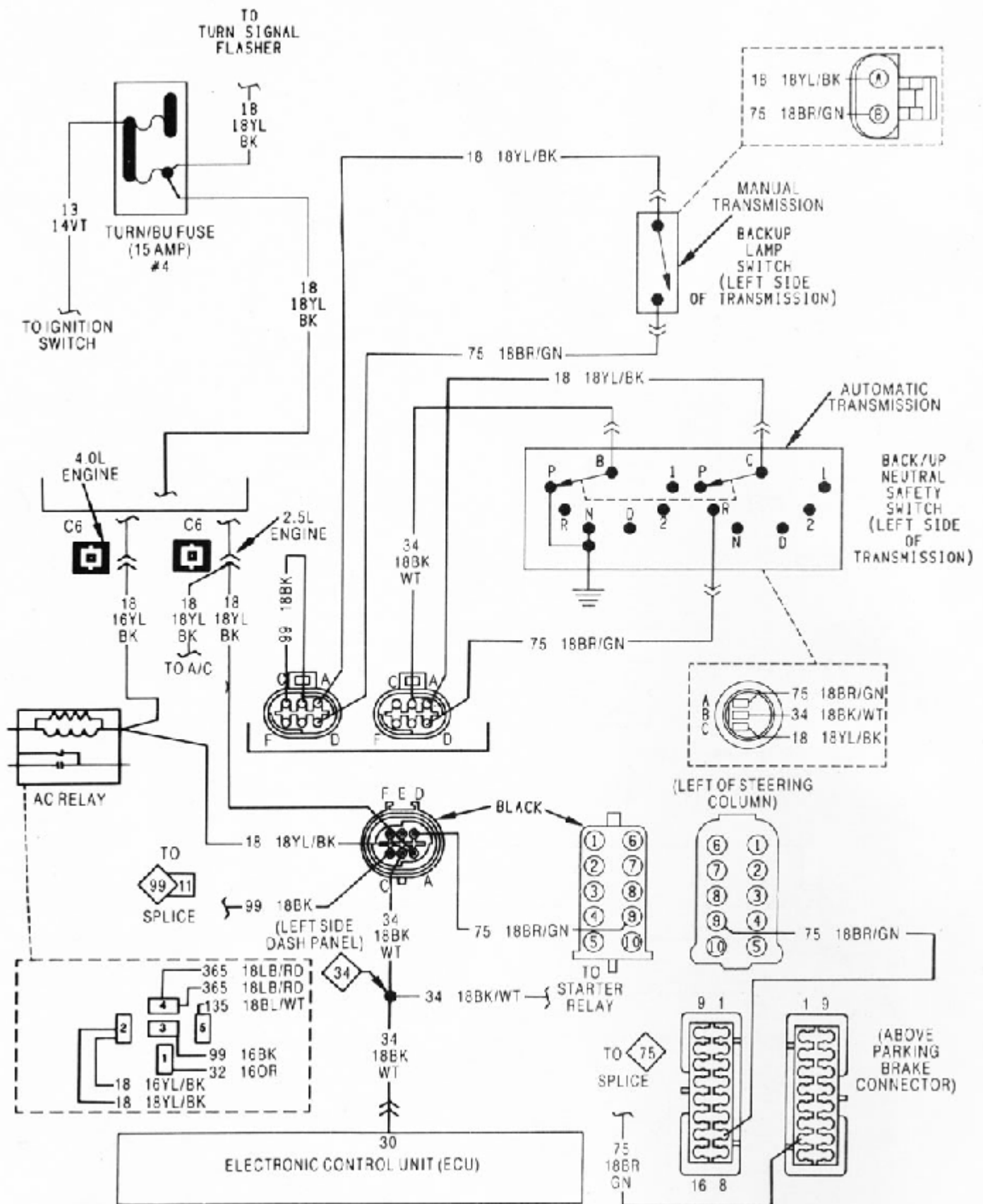
Typical Stop/turn and hazard flasher system wiring diagram (2 of 2)



Typical intermittent windshield washer/wiper system wiring diagram (2 of 2)



Typical standard windshield washer/wiper system wiring diagram



Typical backup lamp/neutral safety switch wiring diagram

